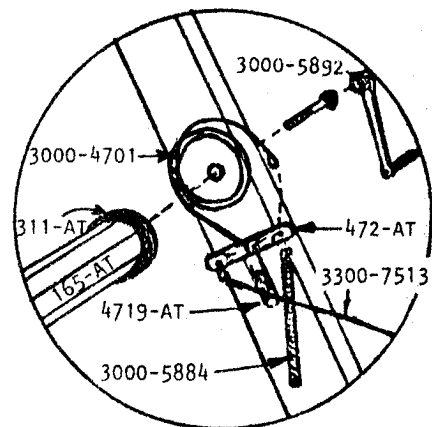
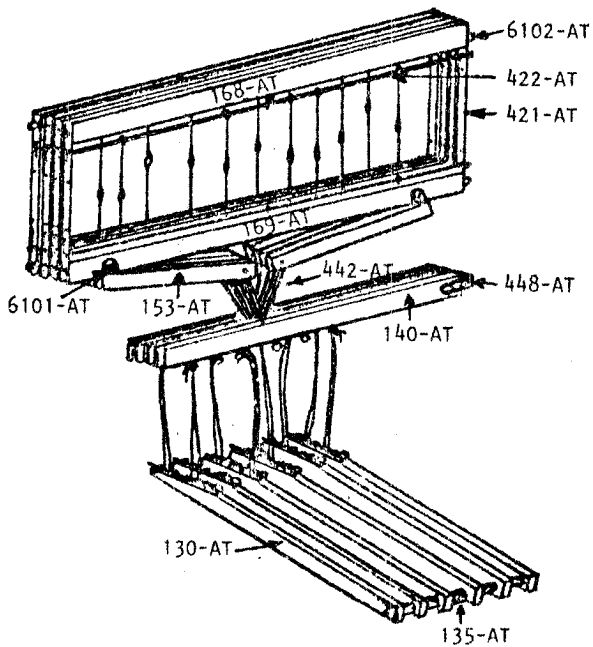
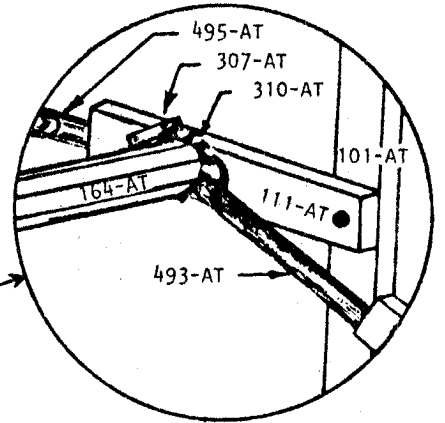
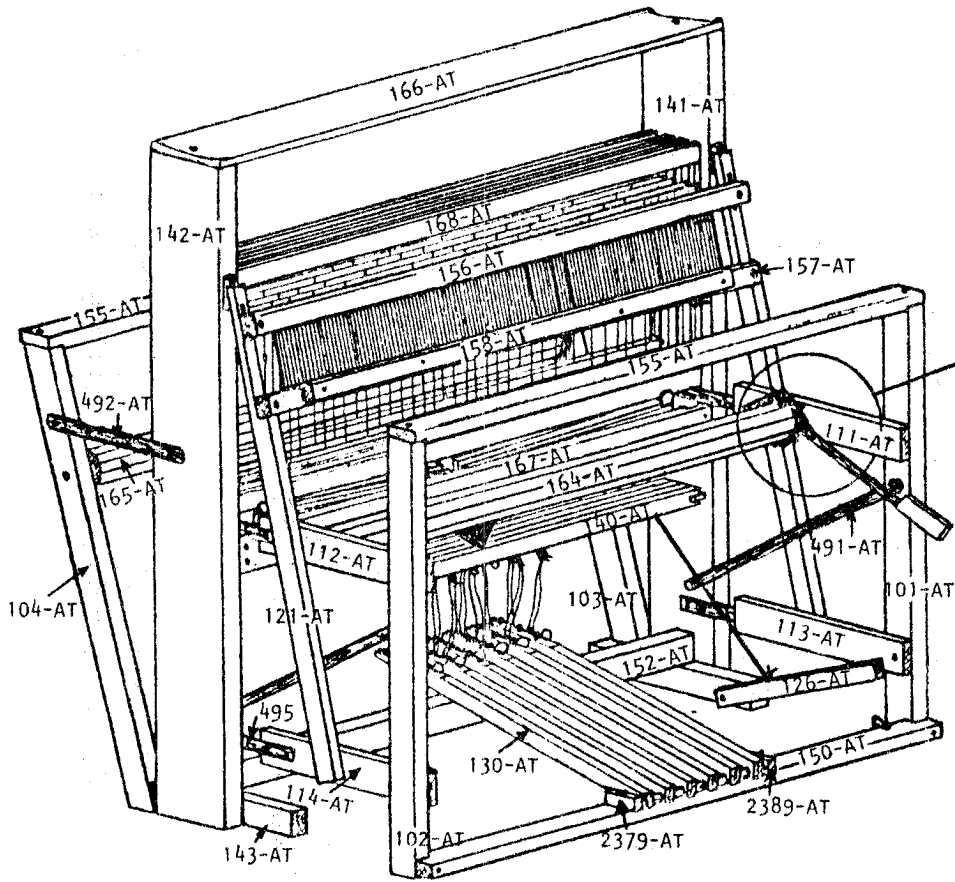


ARTISAT



ARTISAT 36"

WOOD

141-AT	Right upright post
142-AT	Left upright post
143-AT	Right or left side base
166-AT	Castle top
101-AT	Right front post
102-AT	Left front post
103-AT	Right back post
104-AT	Left back post
111-AT	Right upper lateral cross-member
112-AT	Left upper lateral cross-member
113-AT	Right lower lateral cross-member
114-AT	Left lower lateral cross-member
152-AT	Middle lower cross-member
150-AT	Treadle set cross-member
155-AT	Breast or thread beam
164-AT	Cloth beam w/ratchet wheel and canvas apron
165-AT	Warp beam with brake drum
121-AT	Batten sword
156-AT	Batten handtree
157-AT	Batten sley
158-AT	Shuttle race
4500AT	Harness frame (w/o heddle support)
1009-4000	Harness frame assembled
168-AT	Harness upper part
169-AT	Harness lower part
167-AT	Jack box board (front or back)
145-AT	Jack box end (right, or left)
153-AT	Jacks (pair, assembled)
140-AT	Lam
2389-AT	Right treadle set support
2379-AT	Left treadle set support
130-AT	Treadle
135-AT	Treadle spacer
126-AT	Brake treadle
3639-AT	Beam stick 36" (90 cm)

METAL

421-AT	Harness frame ends (pair)
4249-AT	Spring clip for harness frame end
422-AT	Heddle support
55-AT	Spring hook for heddle support
442-AT	Jack iron-fitting
451-AT	Jack axle rod
448-AT	Lam support
482-AT	Treadle set axle rod
4409-AT	Take-up motion handle support
493-AT	Take-up motion handle with ratchet pawl
3000-4701	Flat steel brake circle
4719-AT	Stengthening piece for brake
472-AT	Brake lever
3000-5884	Brake spring
480-AT	Shaft for left side of the beam
491-AT	Front hook to fold the loom
492-AT	Back hook to fold the loom
495-AT	Hinge (upper'or lower)
3000-4521	Treadle hooks (set of 6)
307-AT	Front beam ratchet pawl

ARTISAT 36 (cont.)

CAST-IRON

311-AT Brake drum
310-AT Ratchet wheel
3000-5892 Crank

PLASTIC

6101-AT Jack glide (harness guide)
6102-AT Nylon for harness frame end
1109-AT Stopper for brake treadle
3300-9239 Beater bumper (upright post)
3000-9219 Sub-harness bumper

CORDS

3300-7513 Brake cord
3000-7011 Treadle cords (set of 12)
7719-AT Cord for beam 10 yards (9 m)

ARTISAT 8S

1311-AT Right upright post
1321-AT Left upright post
1363-AT Right side base
1373-AT Left side base
1481-AT Right jack box end (+ rods & bumper)
1461-AT Left jack box end (+ rods & bumper)
1399-AT Jack spacer
1339-AT Lam 36" (90 cm)
1353-AT Treadle with extension
1479-AT Treadle extension

METAL

1639-AT Jack axle rod
1709-AT Eyelet bolt with nut for jack iron-fitting
461-AT Back hook to fold the loom
1629-AT Treadle set axle rod
3501-4521 Treadle hooks 9" (23cm) (set of 10)

PLASTIC

1929-AT Rubber bumper for lam divider