

## 4 EXTRA SHAFT KIT FOR OLD COLONIAL LOOMS

45" (115cm) No: 6395-7009

60" (150cm) No: 6395-8009

### KIT 4 CADRES ADDITIONNELS COLONIAL ANCIEN

#### Pièces du kit

#### Kit Parts

#### DIMENSIONS

		45"	60"
✓ » 4 marmoussets	» 4 Jacks	9 7/16" (CC)	12 1/4" (cc)
✓ » 4 cadres à lames 12 1/2"	» 4 harness frames	46" X 16 1/2"	61" x 16 1/2"
✓ » 4 contremarches	» 4 lams	46 1/8"	61 1/4"
✓ » 4 pédales	» 4 treadles	30 1/2"	30 1/2"
✓ » 1 tige de pédalier pour 8 lames	» 1 treadle set axle rod for 8 harness	26 3/4"	26 3/4"
✓ » 2 rondelles de retenue pédalier	» 2 push nuts for treadle set	7/16"	7/16"
✓ » 4 cordes reliant contremarches et marmoussets	» 4 cords connecting lams to jacks	40 1/2" + chain	40 1/2" + chain
✓ » 8 cordes reliant cadres à lames aux marmoussets	» 8 cords connecting harness frames to jacks	21 3/4"	21 3/4"
✓ » 12 rondelles d'acier 3/8" (10mm)	» 12 steel washers, 3/8" (10mm)		
✓ » 1 tige pour retenir les ressorts de pédales	» 1 support rod for treadle springs	47 1/4"	62 1/4"
✓ » 6 œillets pour planche centrale	» 6 eyelets for central cross-member	A-6	A-6
✓ » 10 ressorts pour pédales	» 10 treadle springs		
✓ » 4 crochets pour pédales	» 4 treadle hooks	10"	10"
✓ » 36 cordes pour pédales	» 36 treadle cords	7"	7"

# Leclerc Looms

Since 1876



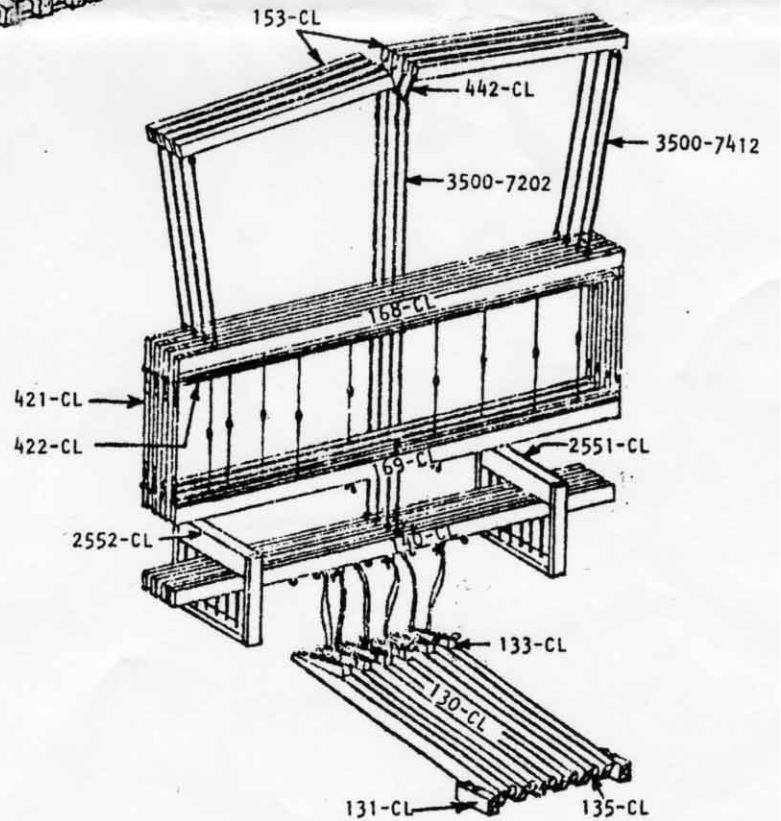
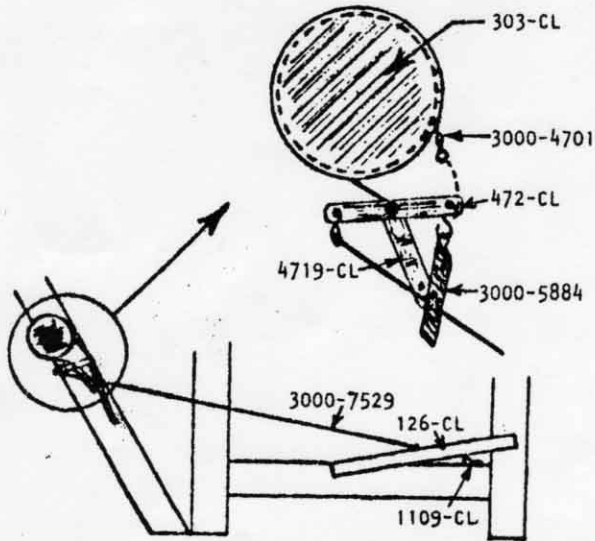
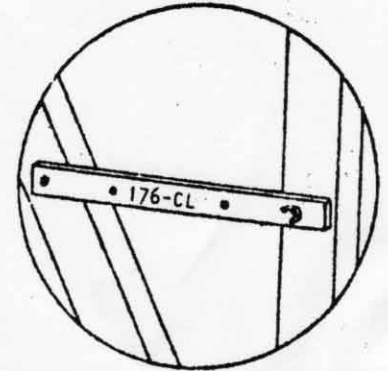
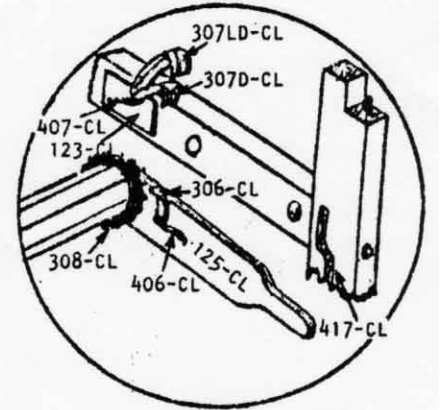
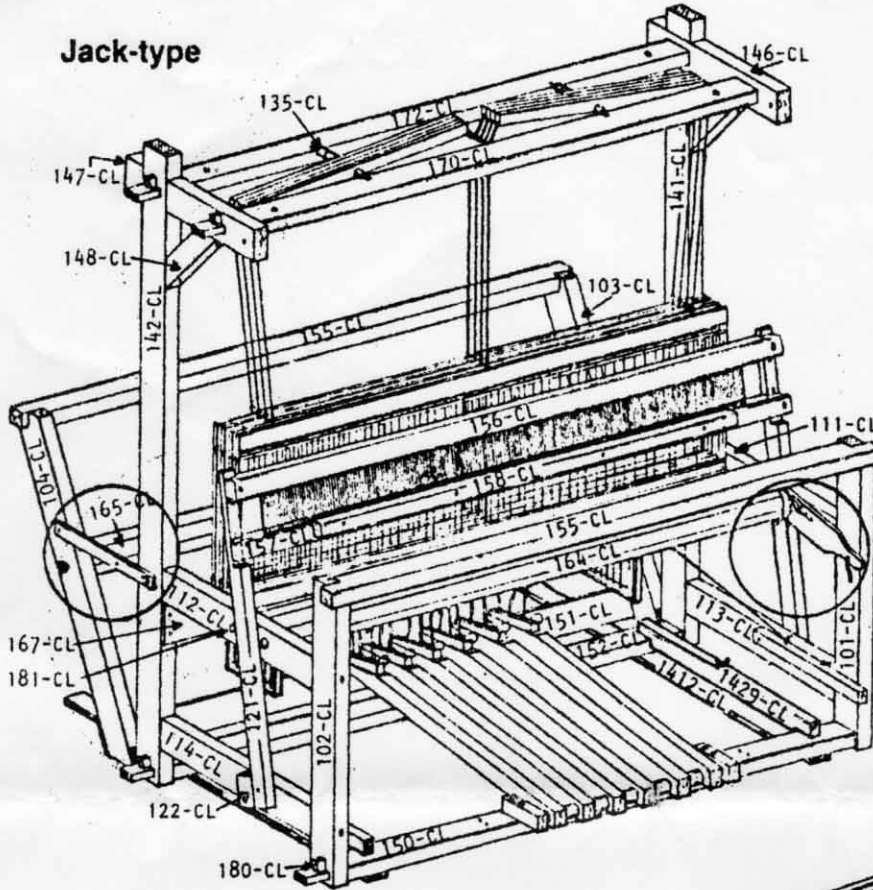
1972 Avenue Simoneau  
C. P. 4  
Plessisville, Qc.  
G6L 2Y6

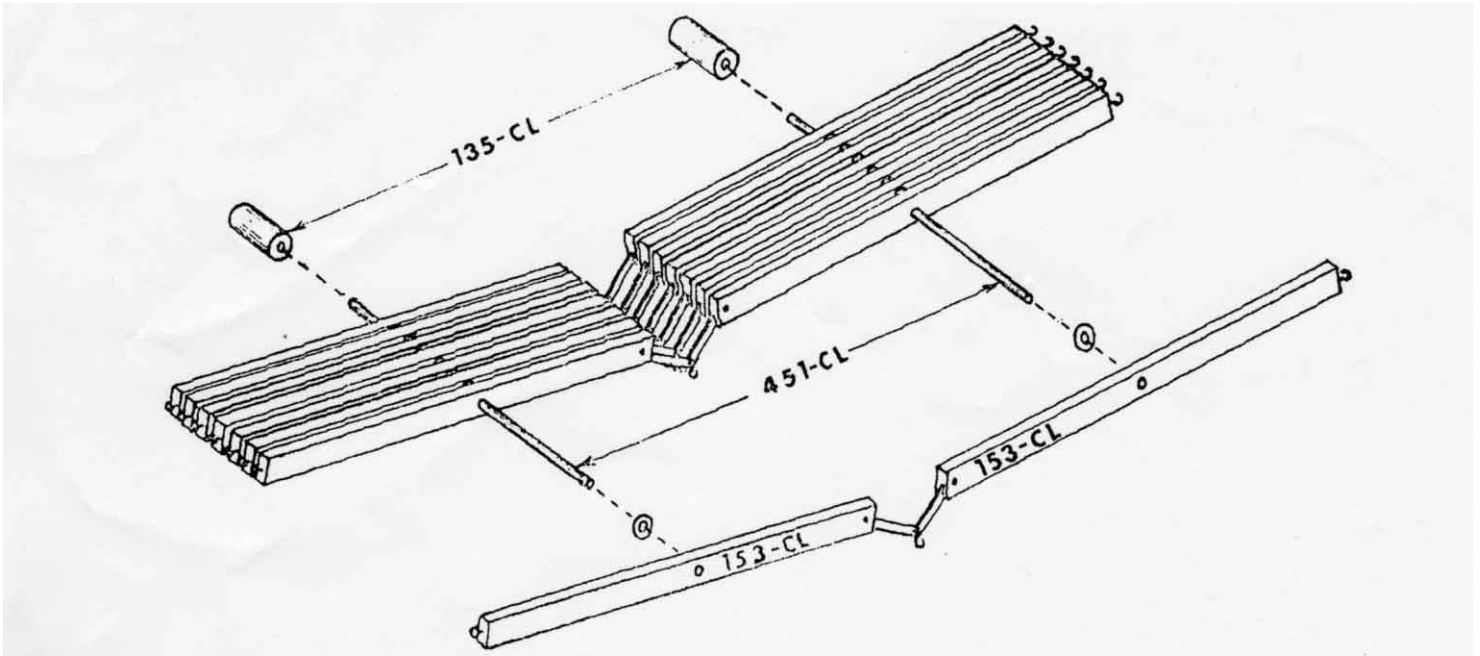
TEL: 819-362-7207  
FAX: 819-362-2045  
leclerc@leclerclooms.com  
www.leclerclooms.com

# COLONIAL

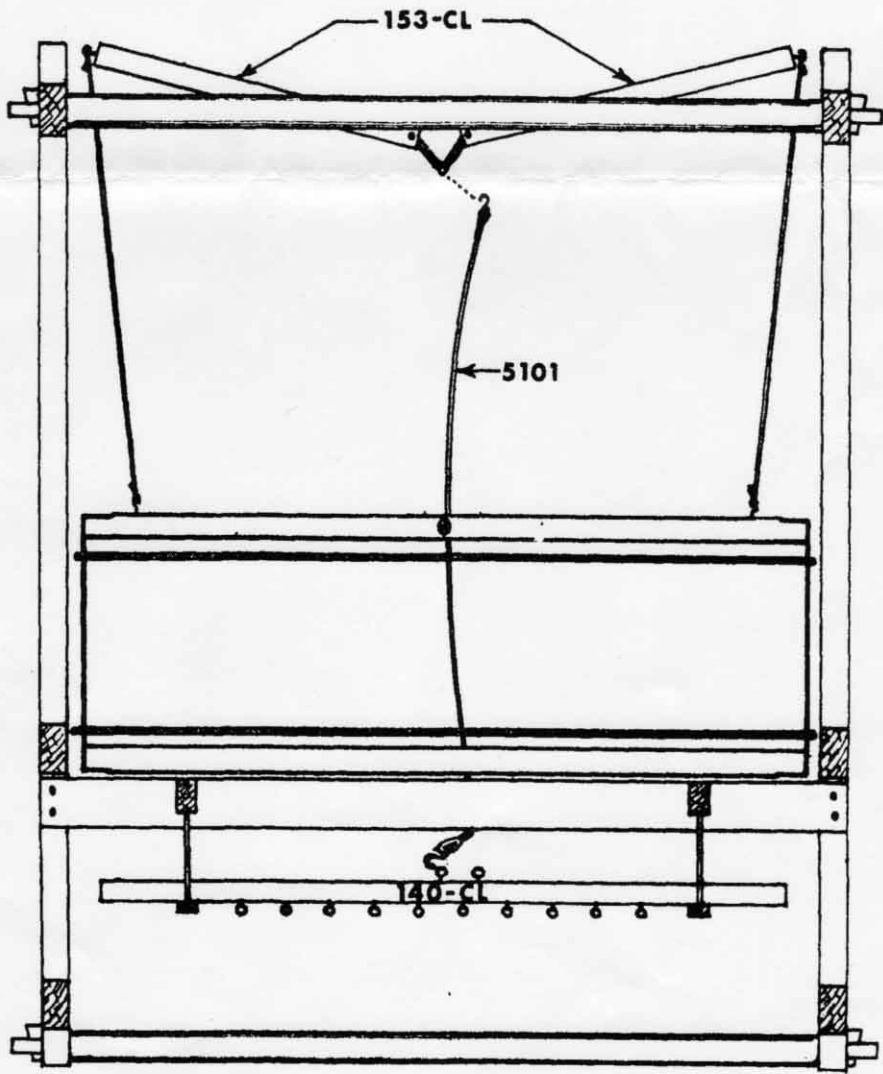
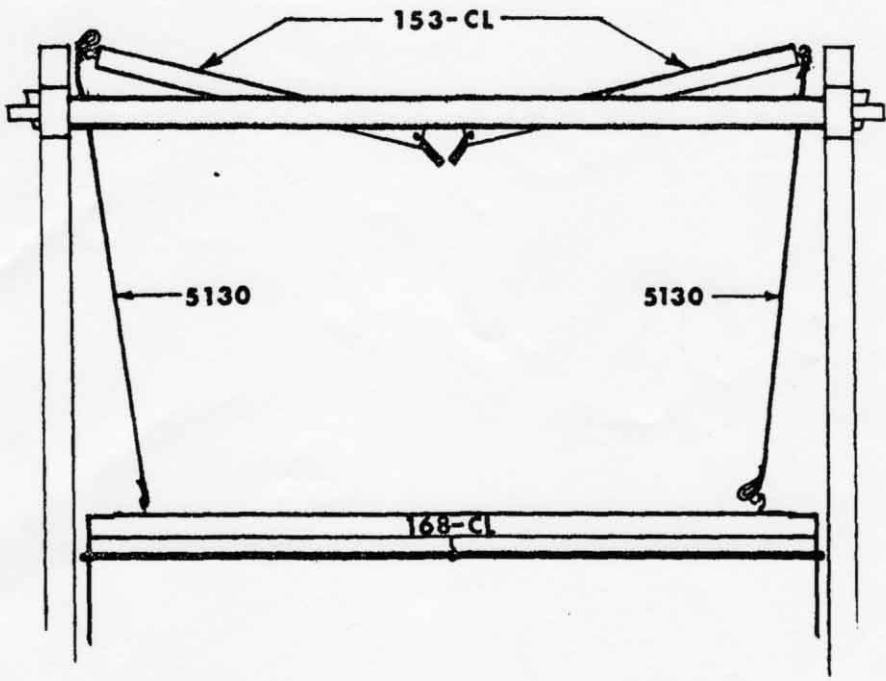
Pas à la lève

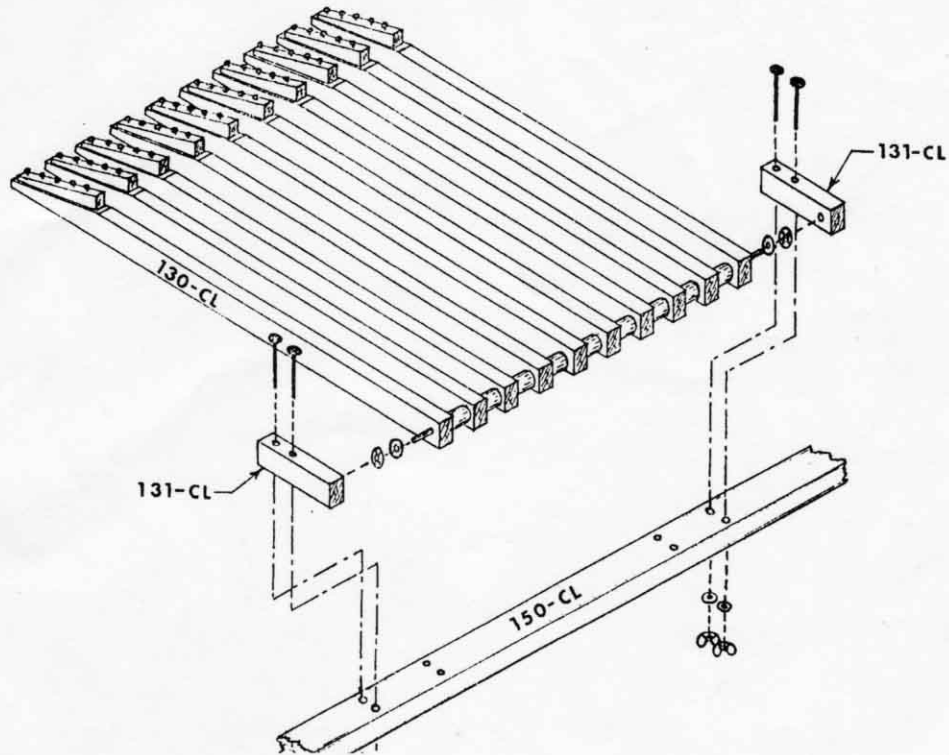
Jack-type





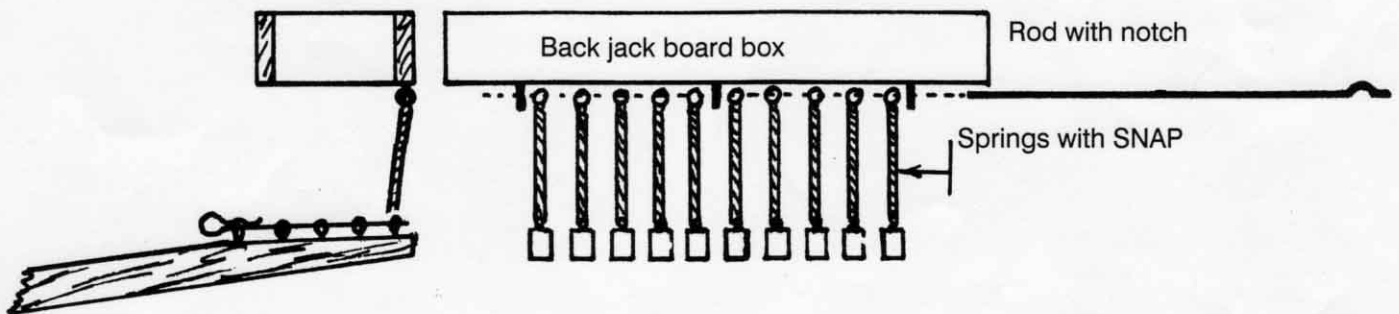
- 1) Remove the jack spacers at the rear of the jacks but leave one on each side.
- 2) Install the 4 sets of new jacks. Put one steel washer 3/8" (10mm) between each jack.
- 3) Re-install the jack set on the loom.
- 4) Connect to the shaft frame and to the lams following the diagram on the next page or refer to your original assembly instructions for the loom.






- 1) Remove the treadle set from the loom.
- 2) Remove treadle block 131 at one end.
- 3) Remove the push nut at the same end.
- 4) Remove the treadle rod.
- 5) Assemble the new treadle set with the new treadle rod 26<sup>3</sup>/<sub>4</sub>" as shown here.
- 6) You may have to drill holes in the treadle set cross member. To do this, after the treadle set is completely assembled, install it in the loom, center it and mark where to drill holes.

## TREADLE SPRINGS INSTALLATION



This loom has springs to hold the weight of the treadles which prevent the shaft frame from rising.

- 1) Slide the rod (with notch) into the eye screws of the back board of the jack box while inserting one spring aligned with every treadle.
- 2) Hook each spring to the eye of each treadle (a little tension is necessary so that the total weight of each treadle is supported by the spring).
- 3) Tie treadles cords according to your pattern.



**COLONIAL ANCIEN**  
**3500-7412**  
**21" HORS TOUT**