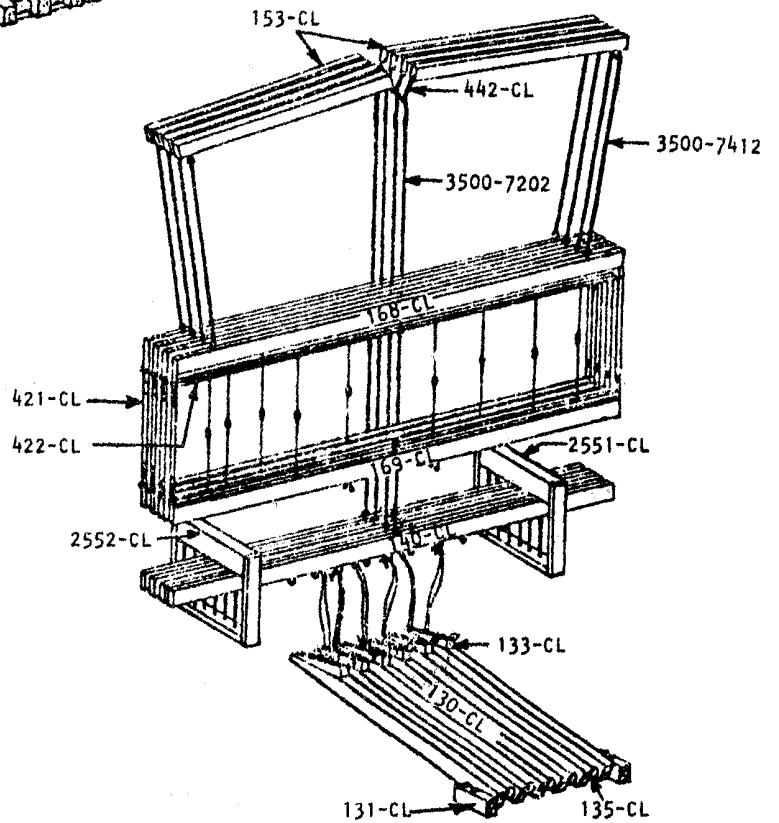
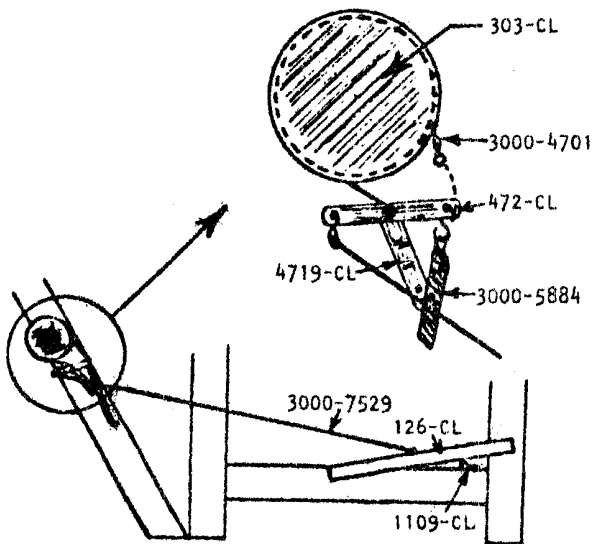
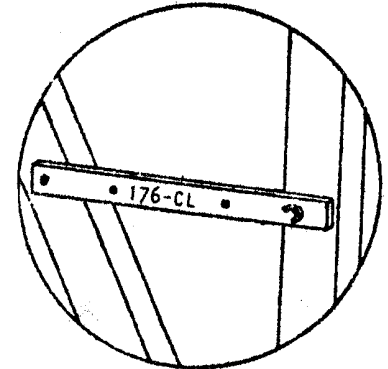
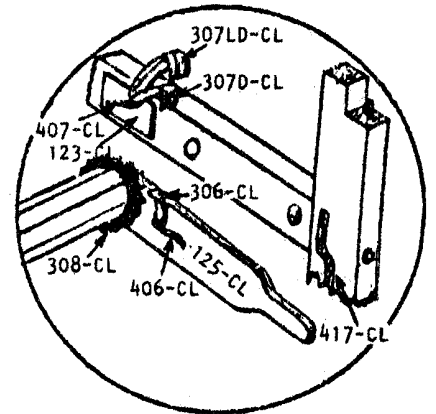
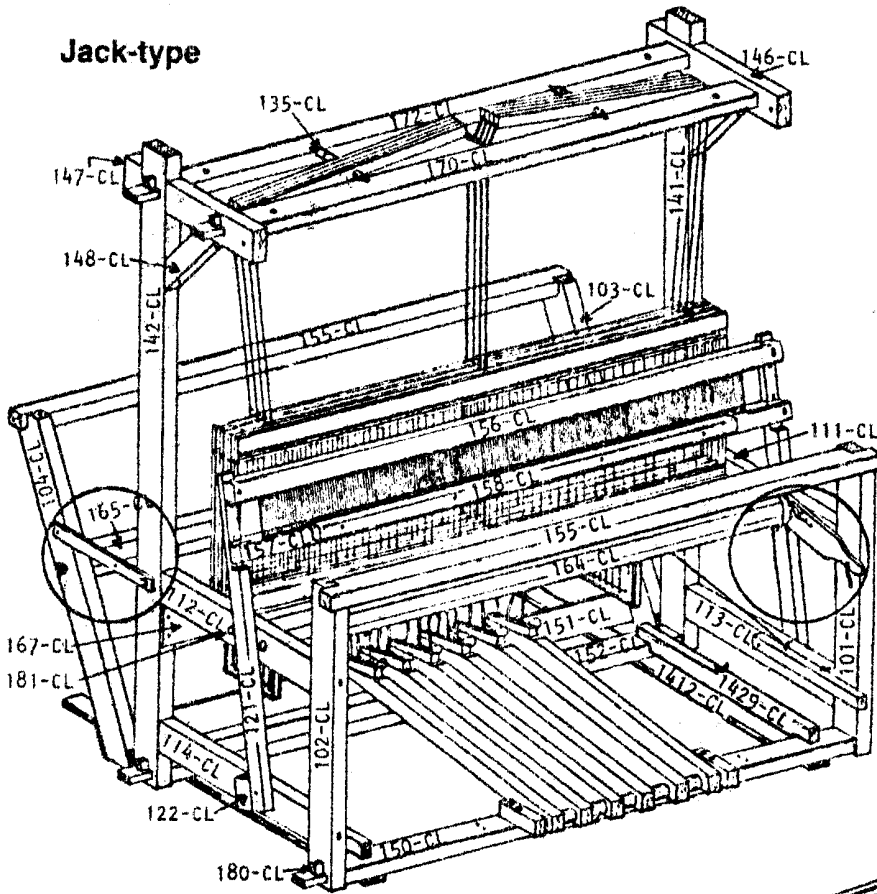


# COLONIAL

Pas à la lève

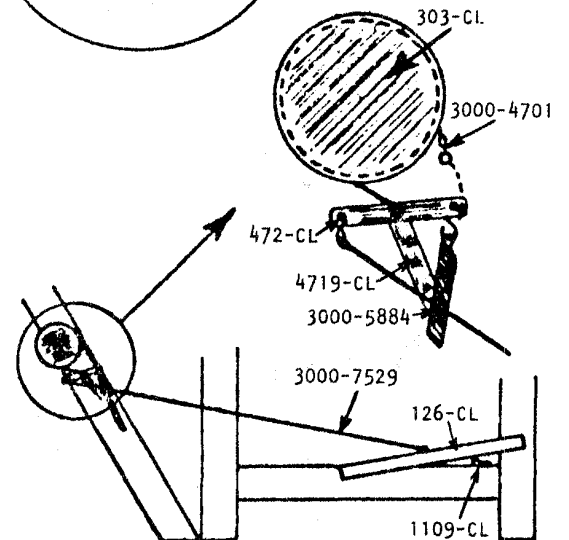
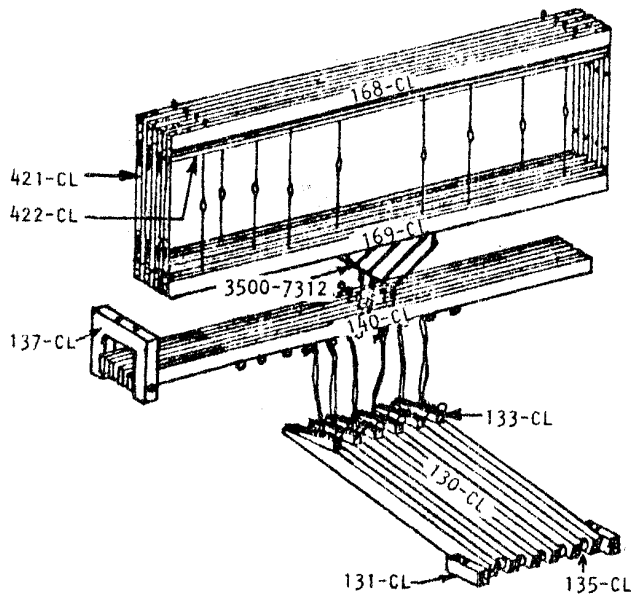
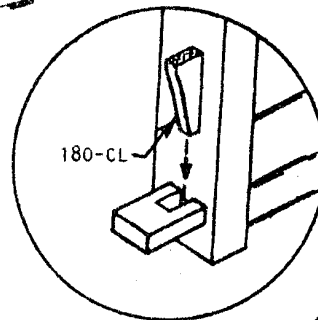
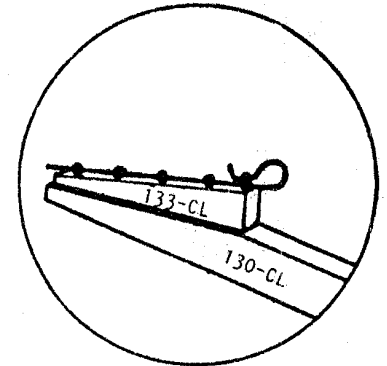
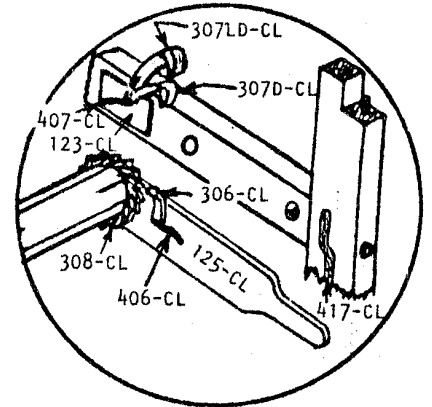
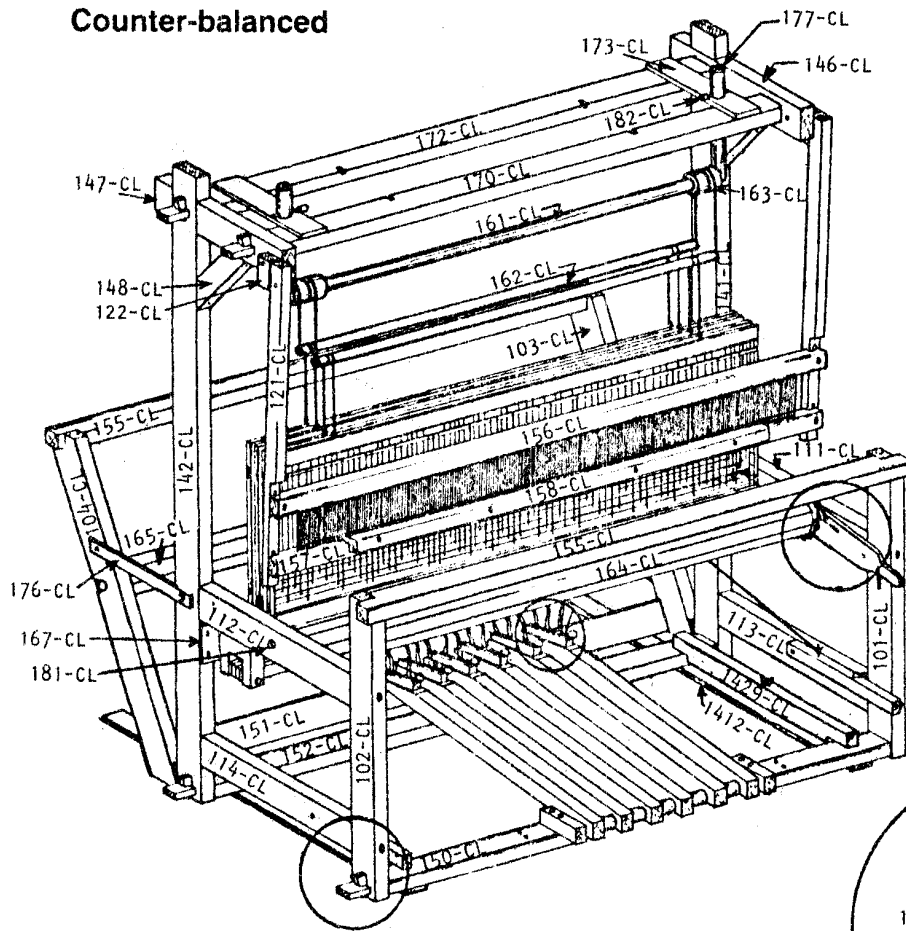
Jack-type



# COLONIAL

Contre-balancé

Counter-balanced



# COLONIAL (old) 4 or 8s jack, 4s C.-B. 45" or 60"

## WOOD

141-CL	Right upright, post (without batten support)
142-CL	Left upright post (without batten support)
146-CL	Right batten support
147-CL	Left batten support
146-CL	Strengthening piece for batten support
170-CL	Front upper cross-member
172-CL	Back upper cross-member
160-CL	Assembling peg
101-CL	Right front post
102-CL	Left front post.
103--CL	Right back post (w/o beam latch)
104-CL	Left back post (w/o beam latch)
111-CL	Right upper lateral cross-member
112-CL	Left upper lateral cross-member
113-CL	Right lower lateral cross-member
114-CL	Left lower lateral cross-member
150-CL	Treadle set cross-member
152-CL	Middle lower cross-member
151-CL	Lower cross-member connecting back posts
167-CL	Middle cross--member connecting upright posts
155-CL	Breast or thread beam
164-CL	Cloth beam w/ wheels & canvas apron
165-CL	Warp beam with wheels
121-122-CL	Batten sword w/ attachment block
156-CL	Batten handtree
157-CL	Batten sley
156-CL	Shuttle race
173-CL	Horizontal roller support C.-B
177-CL	Vertical roller support C.-B.
162-CL	Adjustment peg for vertical roller support C.-B.
161-CL	Upper roller (w/ sockets)C.-B.
102-CL	Lower roller (w/ plastic pulleys) C.-B.
163-CL	Upper roller socket C.-B.
153-CL	Jacks (pair, assembled) Jack-type
135-CL	Jack spacer Jack-type
156-CL	Harness upper, part
169-CL	Harness lower part
140-CL	Floating lam
2551-CL	Right lam divider Jack--tpe
2552-CL	Left lam divider Jack-type
137-CL	Lam support Counter-Balance
131-CL	Treadle set support
130-CL	Treadle with extension
133-CL	Treadle extension
135-CL	Treadle spacer
181-CL	Stop peg for lower fixed beater
123-CL	Board to center ratchet pawls
125-CL	Take-up motion handle with ratchet pawl
126-CL	Brake treadle
176-CL	Hook to fold back of the loom
821-CL	Tip-proof stabilizers (pair)
1412-CL	Stabilizing board
1429-CL	Clamping member for stabilizing board

## COLONIAL (old) 4 or 8s jack, 4s C.-B. 45" or 60" (cont.)

### METAL

442-CL	Jack iron-fitting
451-CL	Jack axle rod
421-CL	Harness frame ends (pair)
4249-CL	Spring clip for harness frame end
422-CL	Heddle support
55-CL	Spring hook for heddle support
423-CL	Hook for heddle support
427-CL	Hook for harness frame
482-4-CL	Treadle set axle rod (4 harnesses)
482-8-CL	Treadle set axle rod (8 harnesses)
416-CL	Treadle spring (with snap bodie)
425-CL	Support rod for treadle springs
406-CL	Strengthening piece for take-up motion hand:
407-CL	Strengthening piece for ratchet pawls
417-CL	Take-up motion handle support
412-CL	Beam latch
3000-4701	Flat steel brake circle
403-CL	Steel brake wire
4719-CL	Strengthening !piece for brake
472-CL	Brake lever
5874-CL	Brake turnbuckle
3000-5884	Brake spring
4789-CL	Rod connecting brake treadle to brake lever
3000-4531	Treadle hooks (set of 6)

### Cast-iron

302-CL	Plain wheel.
303-CL	Brake drum
308-CL	Ratchet wheel
3000-5862	Crank
306-CL	Ratchet pawl for take-up motion handle
307D-CL	Ratchet pawl for cloth beam (short)
307LD-CL	Ratchet pawl for cloth beam (long)

### Plastic

1109-CL	Stopper for brake treadle
---------	---------------------------

### CORD

7113-CL	Upper roller cords (set of 2)
3000-7123	Lower roller cords (set of 4)
1035-0000	Loop cords for rollers (set of 6)
3500-7202	Cords connecting .lacks to lams (with chain at one end)(set of 4)
3500-7412	Cords connecting jacks to harnesses (set of 8)
3500-7312	Cords connecting lams to harnesses (set of 4)
3000-7529	Brake cord
3000-7011	Treadle cords (set of 12)