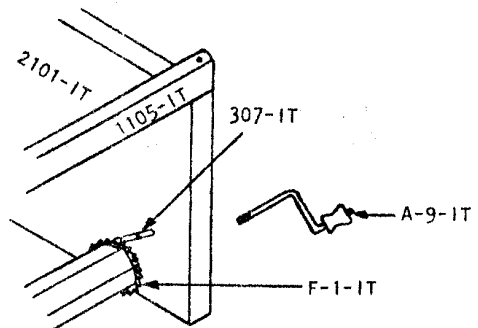
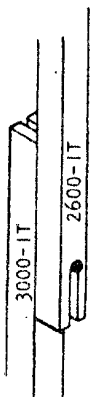
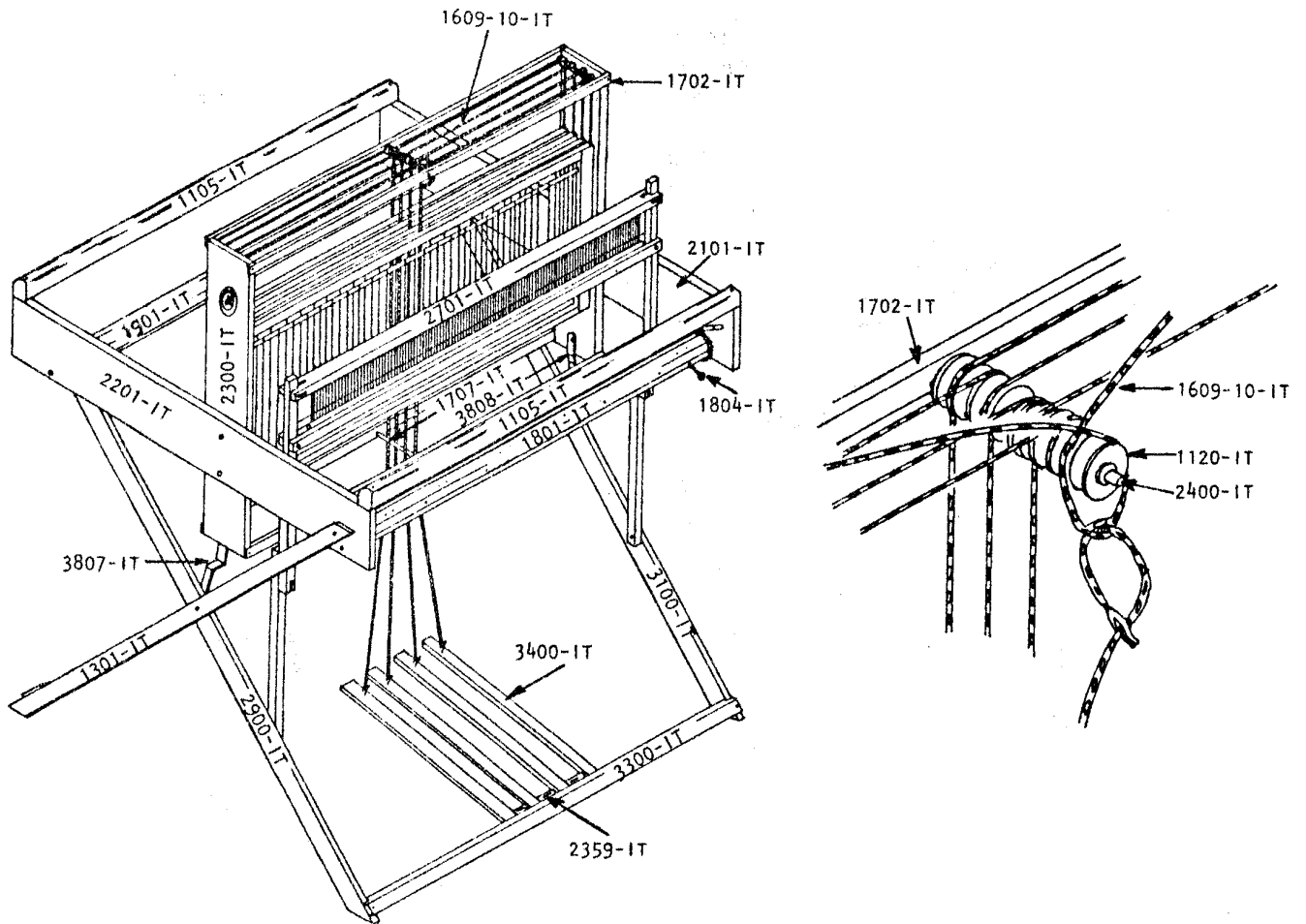


INITIATION



INITIATION

WOOD

2300-IT	Upright post (right, or left)
2101-IT	Right lateral cross-member
2201-IT	Left lateral cross-member
3100-IT	Right front post
2900-I1	left front post
1301-IT	Back post (right or left)
3300-1T	Treadle set cross?member
1702-IT	Cross?member connecting upright posts
1105-IT	Breast or thread beam
1801-IT	Cloth beam with ratchet wheel
1901-IT	Warp beam with ratchet wheel
2600-IT	Batten sword
3000-IT	Batten sword extension
2701-IT	Batten handtree or batten sley
3700-IT	Harness frame without heddle support
1008-2600	Harness frame assembled
3400-IT	Treadle

METAL

2503-IT	Heddle support
3808-IT	Right stabilizing iron?fitting
3807-IT	Left stabilizing iron?fitting
1804-IT	Rod with nylon ends (cloth beam)
307-IT	Ratchet pawl for cloth beam
A-9-IT	Crank
1704-IT	Pulley axle rod (right of left)
2400-IT	Middle pulley axle red (upper or lower)
1707-IT	Paper quill covering lower middle pulley axle rod
1502-IT	Treadle set axle rod

CAST-IRON

F-1-IT Ratchet wheel

PLASTIC

1120-IT Nylon pulley 1" dia.

CORDS

1609-10-IT Loop cords (ass.) connecting pulleys to shaft frames and treadles
(set of 4)