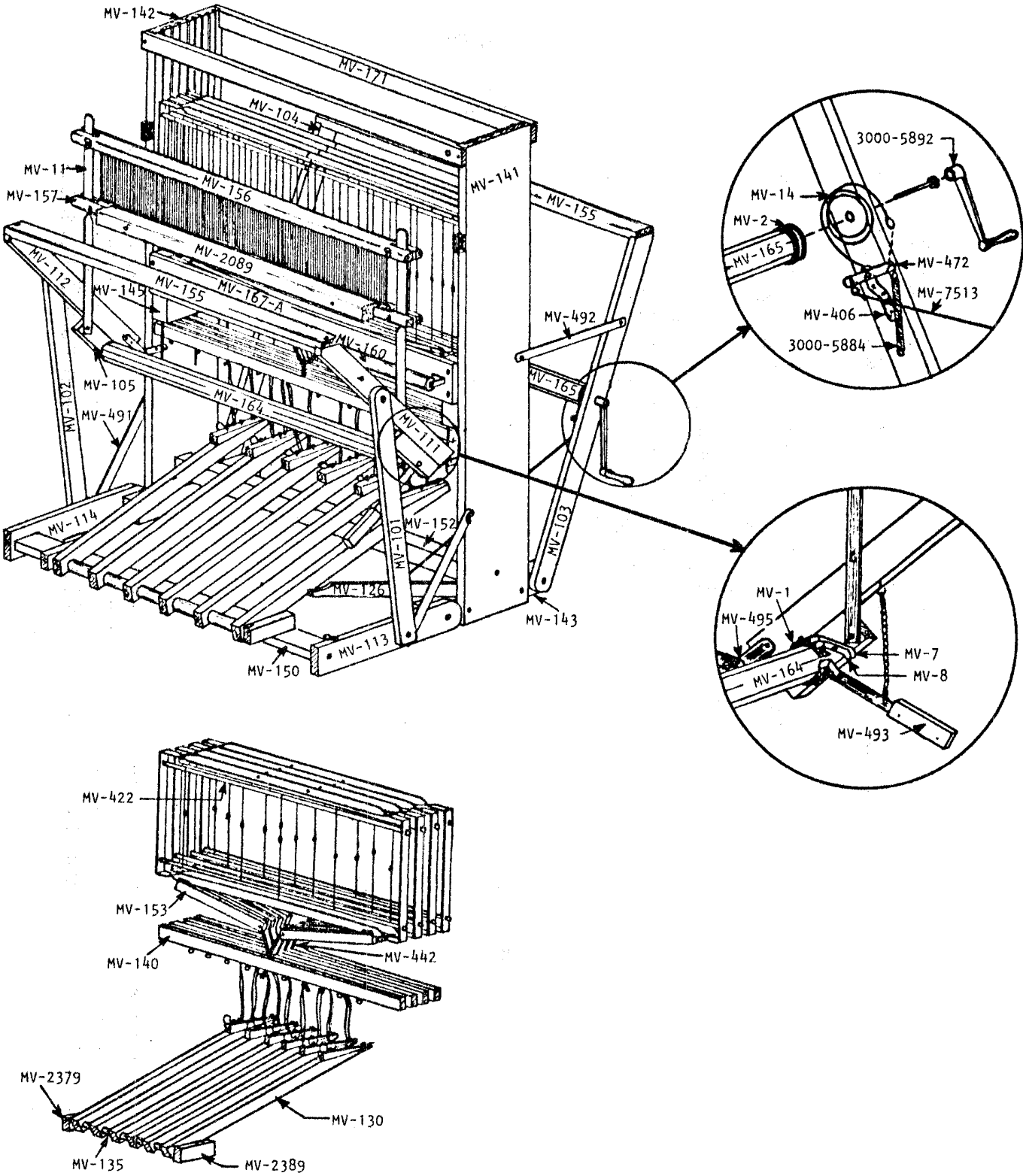


MINERVA



MINERVA

WOOD

| | |
|----------|---|
| MV-141 | Right upright post |
| MV-142 | Left upright post |
| MV-171 | Upper cross-member |
| MV-143 | Side base |
| MV-101 | Right front post |
| MV-102 | Left front post |
| MV-103 | Right back post |
| MV-104 | Left back post |
| MV-111 | Right upper lateral cross-member |
| MV-112 | Left upper lateral cross-member |
| MV-113 | Right lower lateral cross-member |
| MV-114 | Left lower lateral cross-member |
| MV-150 | Treadle set cross-member |
| MV-152 | Back cross-member |
| MV-155 | Breast or thread beam |
| MV-105 | Cloth beam support |
| MV-164 | Cloth beam w/ratchet wheel and canvas apron |
| MV-165 | Warp beam with brake drum |
| MV-156 | Batten handtree |
| MV-157 | Batten sley |
| MV-2089 | Shuttle race |
| MV-167-A | Front jack box board |
| MV-167-B | Back jack box board |
| MV-145 | Jack box end (right or left) |
| MV-160 | Cloth roller |
| MV-153 | Jacks (pair, assembled) |
| MV-140 | Lam |
| MV-130 | Treadle |
| MV-2389 | Right treadle set support |
| MV-2379 | Left treadle set support |
| MV-135 | Treadle spacer |
| MV-126 | Brake treadle |
| MV-3639 | Beam stick (replacing the canvas apron) |

Metal

| | |
|-----------|---|
| MV-4131 | Harness frame without heddle support |
| 3420-4131 | Harness frame assembled |
| MV-422 | Heddle support |
| MV-4299 | Upper heddle support hook |
| MV-4279 | Lower heddle support hook |
| MV-442 | Jack iron-fitting |
| MV-429 | Cloth roller support |
| MV-451 | Jack axle rod |
| MV-452 | Lam divider rod |
| MV-482-4 | Treadle set; axle rod (4 harnesses) |
| MV-482-8 | Treadle set axle rod (8 harnesses) |
| MV-491 | Front hook to fold the loom |
| MV-492 | Back hook to fold the loom |
| MV-495 | Hinge |
| MV-493 | Take up motion handle with ratchet pawl |
| MV-7 | Ratchet pawl for. cloth beam (long) |
| MV-8 | Ratchet pawl for cloth beam (short) |
| MV-10 | Shaft for left side of the beam |
| MV-11 | Batten sword |
| MV-14 | Brake wire circle |
| MV-406 | Strengthening piece for brake |
| MV-472 | Brake lever |
| 3000-5884 | Brake spring |

CAST-IRON

| | |
|-----------|---------------|
| MV-1 | Ratchet wheel |
| MV-2 | Brake drum |
| 3000-5892 | Crank |