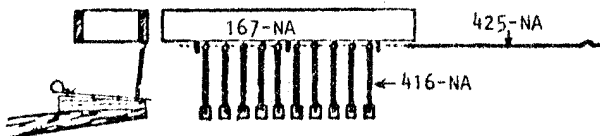
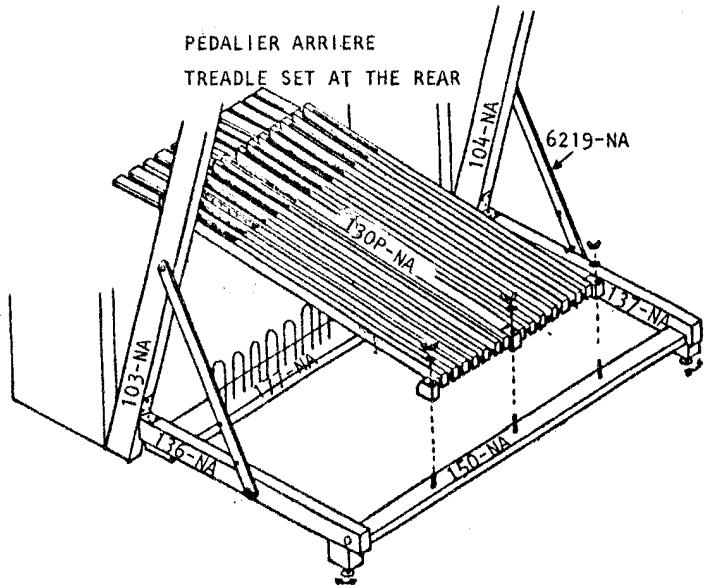
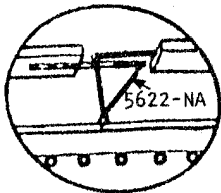
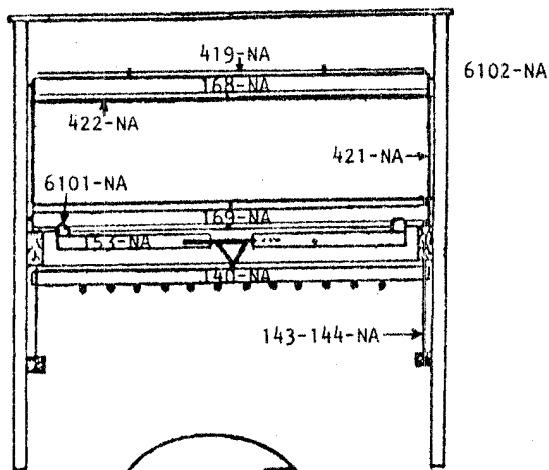
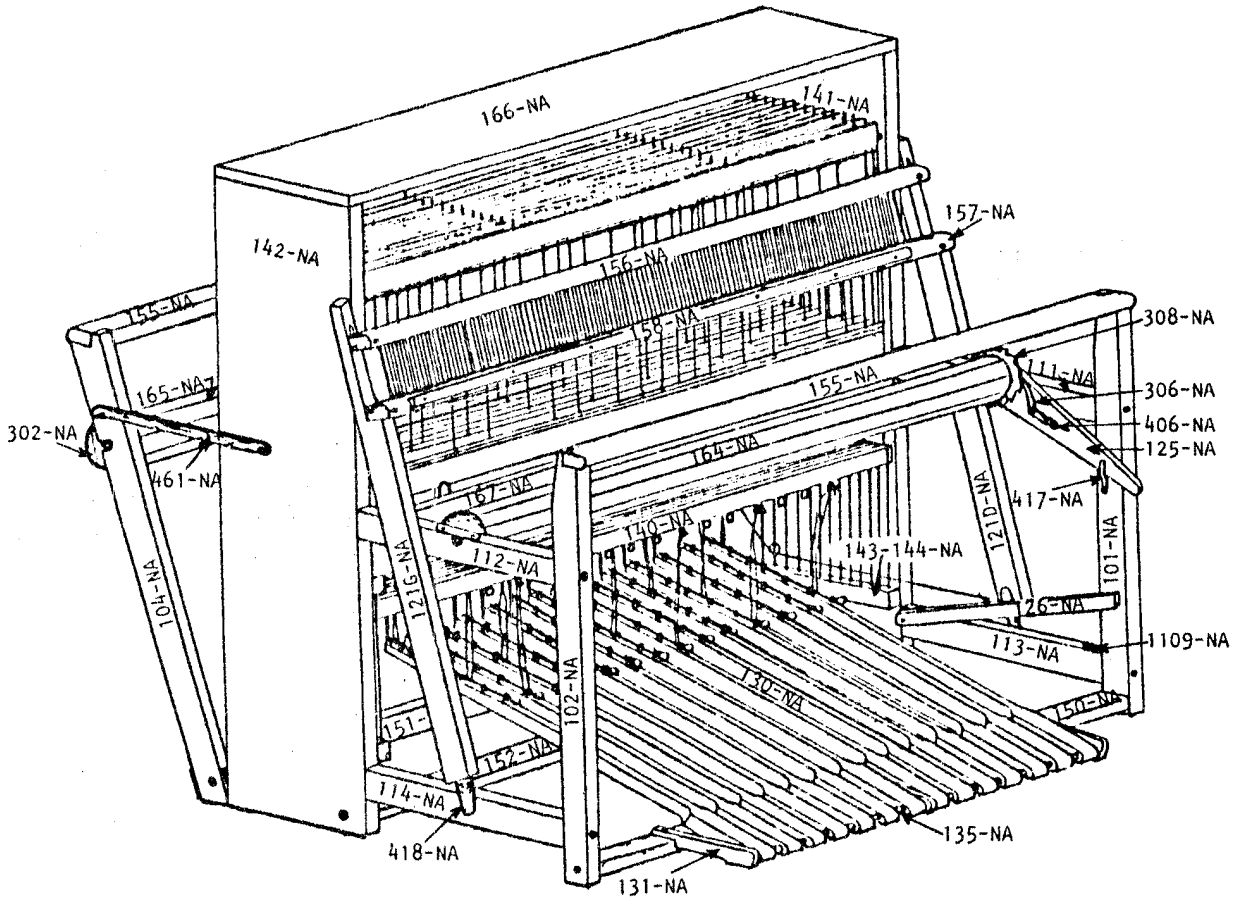


NILART



NILART 12 or 16s, 45" or 60"

WOOD

141-NA	Right upright post
142-NA	Left upright post
166-NA	Castle top
101-NA	Right front post
102-NA	Left front post
103-NA	Right back post (w/o beam latch)
104-NA	Left back post (w/o beam latch)
111-NA	Right upper lateral cross-member (without latch)
112-NA	Left upper lateral cross-member (without latch)
113-NA	Right lower lateral cross-member
114-NA	Left lower lateral cross-member
150-NA	Front treadle set cross-member
152-NA	Middle lower cross-member
151-NA	Lower cross-member connecting back posts
155-NA	Breast or thread beam
164-NA	Cloth beam w/ wheels & canvas apron
165-NA	Warp beam with wheels
121D-NA	Right batten sword (w/ iron-fitting)
1216-NA	Left batten sword (w/ iron-fitting)
156-NA	Batten handtree
157-NA	Batten sley
156-NA	Shuttle race
168-NA	Harness upper part (with pins for harness weight)
169-NA	Harness lower part
167-NA	Jack box x board (front or back)
153-NA	Jacks (pair, assembled.)
1399-NA	Jack spacer
140-NA	Lam
143-144-NA	Lam divider
131-NA	Treadle set support
130--NA	Treadle with extension
135-NA	Treadle spacer
132-NA	Treadle set board
123-NA	Board to center ratchet pawls
125-NA	Take-up motion handle with ratchet pawl
126-NA	Brake treadle

METAL

421-NA	Harness frame ends (pair)
4249-NA	Spring clip for harness frame end
422-NA	Heddle support
55-NA	Spring hook for heddle support
423-NA	Hook for heddle support
419-NA	Harness weight - 6 oz (170 g)
5622-NA	Jack iron-fitting
5629-NA	Jack iron-fitting

NILART 12 or 16s, 45" or 60" (cont.)

METAL

5619-NA	Jack axle rod (8-12 harnesses)
5619-16-NA	Jack axle rod (16 harnesses)
4519-8-NA	Treadle set axle rod (8 harnesses)
4519-12-NA	Treadle set axle rod (12 harnesses)
4519-16-NA	Treadle set axle rod (16 harnesses)
425-NA	Support rod for treadle springs
416-NA	Treadle spring (with snap bodie)
406-NA	Strengthening piece for take-up motion handle
407-NA	Strengthening piece for ratchet pawls
417-NA	Take-up motion handle support
412-NA	Beam latch
3000-4701	Flat steel brake circle
403-NA	Steel brake wire
4719-NA	Strengthening piece for brake
4729-NA	Brake lever
3000-5884	Brake spring
418-NA	Iron-fitting for batten sword
461-NA	Hook to fold back of the loom
3201--4521	Treadle hooks (set of 10)

Cast-iron

302-NA	Plain wheel
303-NA	Brake drum
306-NA	Ratchet wheel
304-NA	Crank
306-NA	Ratchet pawl-for take-up motion handle
307D-NA	Ratchet pawl for cloth beam (short)
307LD-NA	Ratchet pawl for cloth beam (long)

PLASTIC

6101-NA	Jack glide (harness guide)
6102-NA	Nylon for harness frame end
1109-NA	Stopper for brake treadle
3000-9229	Beater bumper (upright post)

CORD

3000-7529	Brake cord
3200--7021	Treadle cords - (set of 12)

NILART - TREADLE SET AT THE REAR

136-NA	Right back lateral cross-member with short, post
1.37-NA	Left back lateral cross-member with chart post
150-NA	Hack treadle set crass-member
177-NA	Cross-member with treadle divider
175-NA	Back cross-member covering treadle divider
176-NA	Bevelled cross-member supporting treadles
130P-NA	Treadle with correction lever

METAL

6219-NA	Hook connecting bank lateral cross-member to back past
---------	--