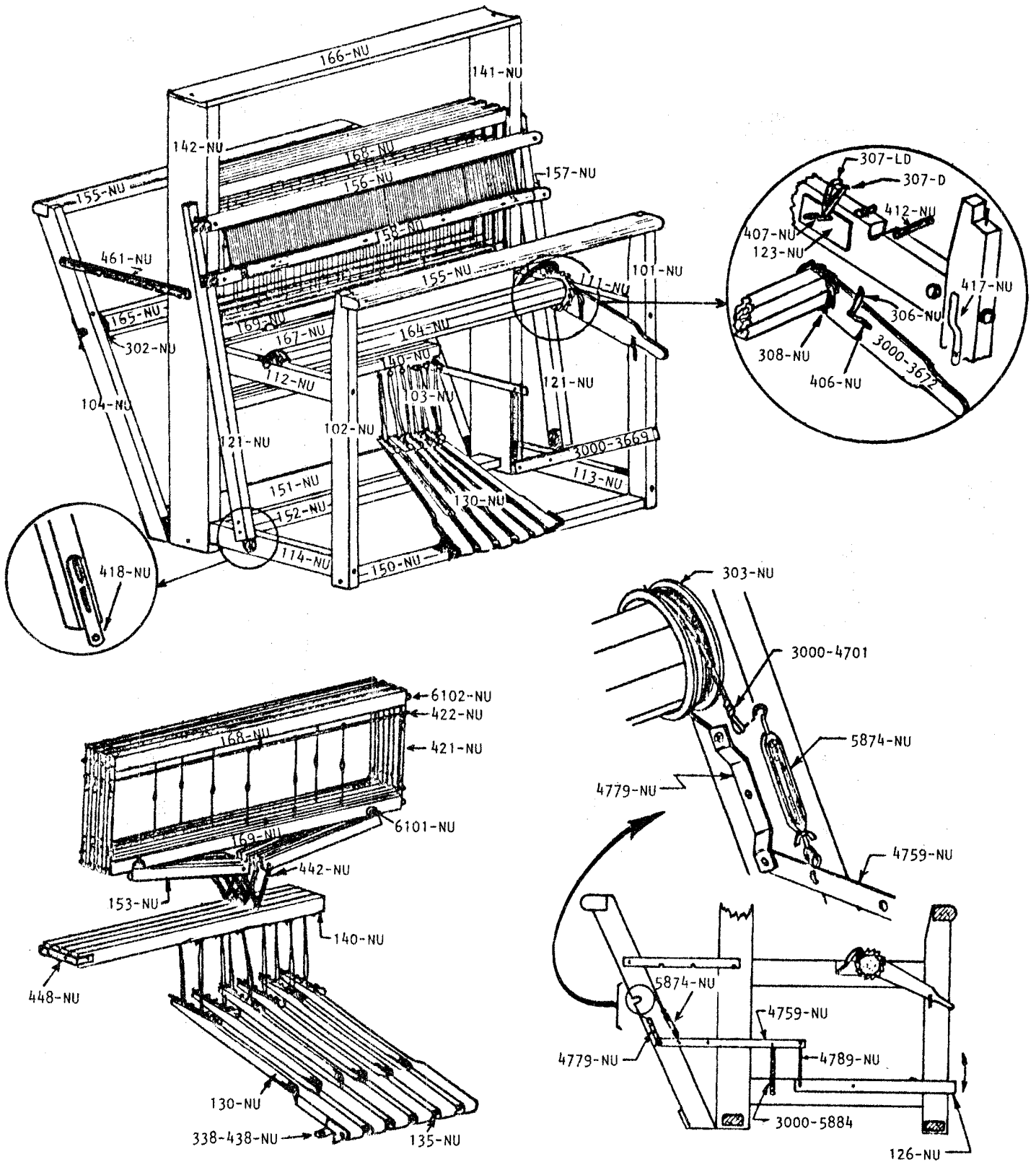


NILUS



NILUS 36", 45" or 60"

WOOD

141-NU	Right upright post
142-NU	Left upright pest
166-NU	Castle top
101-NU	Right front post
102-NU	Left front past
103-NU	Right back post (w/o beam latch)
104-NU	Left back post. (w/n beam latch)
111-NU	Right upper lateral cross-member (without latch)
112-NU	Left upper lateral cross-member (whithout latch)
113-NU	Right lower lateral cross-member
114-NU	Left lower lateral cross-member
150-NU	Treadle set, cross-member
152-NU	Middle lower cross.-member
151-NU	Lower cross-member connecting back posts
155-NU	Breast or thread beam
164-NU	Cloth beam w/ wheels & canvas apron
165-NU	Warp beam with wheels
121D-NU	Right batten sword (with iron-fitting)
1216-NU	Left batten sword (with iron-fitting)
156-NU	Batten handtree
157-NU	Batten sley
158-NU	Shuttle race
168-NU	Harness upper part
168-NU	Harness lower part
167-NU	Jack box board (front and back)
2489-NU	Jack box end (right or left)
153-NU	Jacks (pair, assembled)
140-NU	Lam
130-NU	Treadle
135-NU	Treadle spacer
123-NU	Board to center ratchet pawls
3000-3672	Take-up motion handle with ratchet pawl
126-NU	Brake treadle (old model using brake cord)
3000-3669	Brake treadle (new model)

METAL

421-NU	Harness frame ends (pair)
4249-NU	Spring clip far harm frame ends
422-NU	Heddle support
55-NU	Spring hank for peddle support
423-NU	Hook for peddle, support
442-NO	Jack iron fitting
451-NU	Jack axle rod
448-NU	Lam support
338-438-NU	Treadle set axle rod assembled to supports
406-NU	Strengthening piece for take-up motion handle
407-NU	Strengthening piece for ratchet pawls
417-NU	Take-up motion handle support
412-NU	Beam latch
3000-47O1	Flat steel brake circle
403-NU S	teel brake wire
4779-NU	Strengthening piece for brake
4759-NU	Brake lever
5874-NU	Brake turnbuckle
3000-5884	Brake spring

NILUS 36", 45" or 60" (cont.)

METAL

4789-NU	Rod connecting brake treadle to brake lever
461-NU	Hook to fold back of the loom
418-NU	Iron-fitting for batten sword
3000-4521	Treadle hanks (set of 6)

CAST-IRON

302-NU	Plain wheel
303-NU	Brake drum
308-NU	Ratchet wheel
3000-5862	Crank
306-NU	Ratchet pawl for take-up motion handle
307D-NU	Ratchet pawl far cloth beam (short)
307LD-NU	Ratchet pawl far cloth beam (long)

PLASTIC

6101-NU	Jack glide (harness guide)
6102-NU	Nylon for hardens frame end
1109-NU	Stopper far brake treadle
5000-9229	Beater bumper (upright post)
3000-9219	Sub-harness bumper

Cord

3000-7519	Brake card
3000-7011	Treadle cords (set of 12)

NILUS 8S

WOOD

2311-NU	Right upright post with ,lack box end
2321-NU	Left upright post with ,lack box end
2331-NU	Lam
2122-NU	Lam divider
1399-NU	Jack spacer
2419-NU	Treadle set support,
2392-NU	Treadle with extension
2439-NU	Treadle extension
135-NU	Treadle spacer
2429-NU	Brake treadle

METAL

1639-NU	Jack axle rod
2639-NU	Treadle set axle rod
2649-NU	Brake lever
3501-4521	Treadle hooks 9" (23cm) (set of 10)