

NILUS II 8 SHAFTS JACK-TYPE LOOM

	8 SHAFTS
36"	1029-0008
45"	1030-0008
60"	1031-0008



On receiving the loom, unpack and lay out the loom components. Do NOT discard any packing material until all parts are inventoried.

Check the parts received against the parts list on pages #2 to #7 of the assembly instructions. Report any discrepancies to Leclerc immediately.

To assemble this loom, a minimum of 2 people are needed but it is recommended you use 3.

Leclerc Looms

Since 1876



1573 Savoie
C. P. 4
Plessisville, Qc.
G6L 2Y6

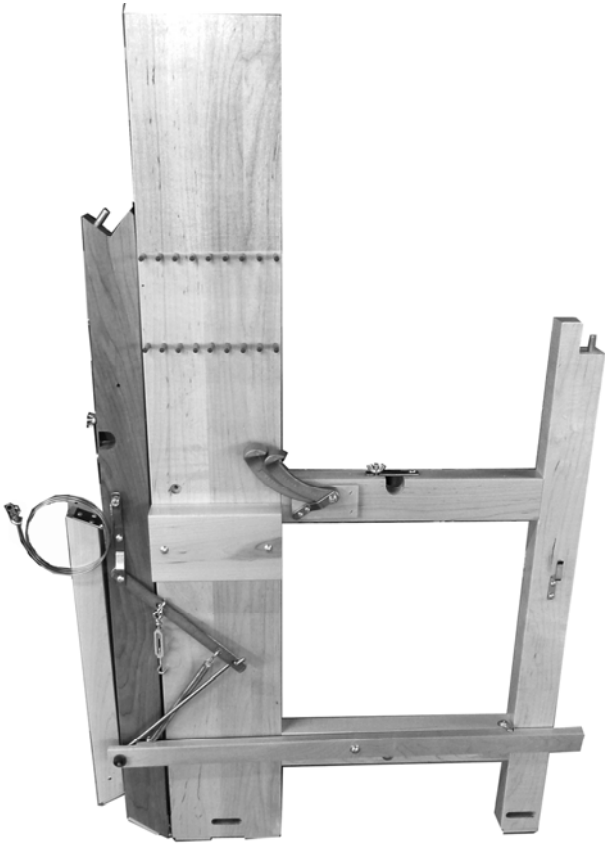
TEL: 819-362-7207
FAX: 819-362-2045

Loom Prepared by: _____

Inspected by: _____

Date: _____

PARTS LIST

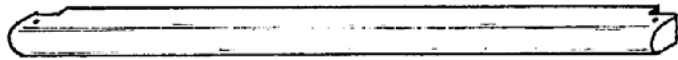


1 right-hand side

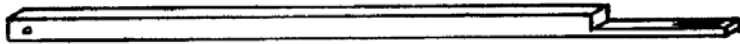


1 left-hand side

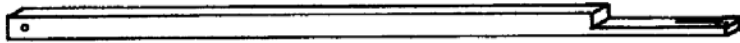
*Note for Leclerc in French : Faire les
petit trous dans les montants pour les
baguettes d'encroix.
Mettre les bloc de boite à
marmoussets.*



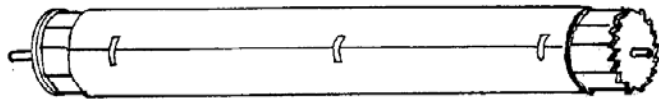
2 breast beams



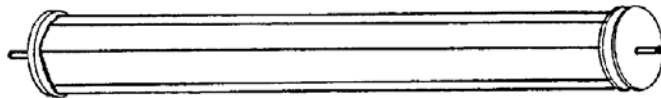
1 left sword



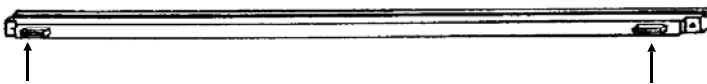
1 right sword



1 cloth (front) beam



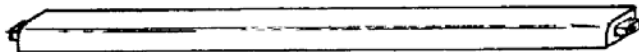
1 warp (back) beam



1 batten handtree with bumpers

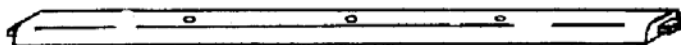


1 batten sley with **shuttle race**

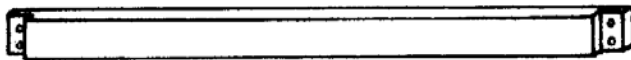


1 lower-middle cross-member

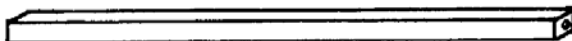
261/2" CC



1 treadle set cross-member



1 lower cross-member
connecting back posts



1 cross-member connecting the
stabilizing posts

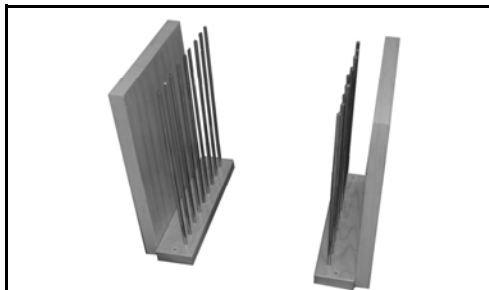
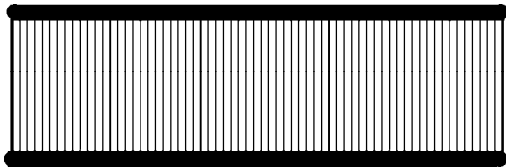
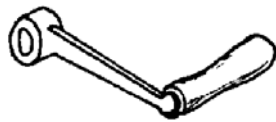
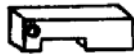
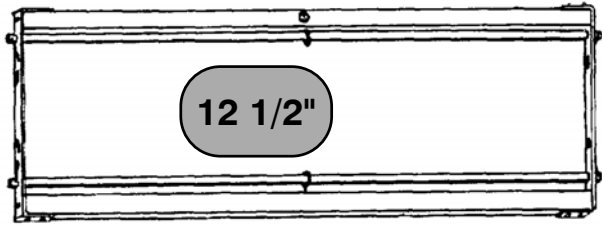


1 apron

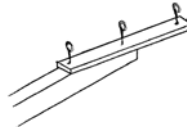


1 cloth take-up motion handle

PARTS LIST



8 shafts



Note for Leclerc in French:
Avec des vis #6 - 1/2" au bout

10 treadles with extension

3 treadles supports

1 treadle set rod 28³/₄" with one pushnut

1 more treadle set pushnut

1 Crank

1 reed

2 lease sticks

4 warp rods

2 lams separators

PARTS LIST



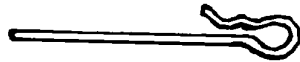
3 screwdrivers (Red, Black Green)



1 aluminum wrench



1 adjustable wrench



1 set of 10 treadle hooks 10" # 3500-4521



5 sets of 9" 12 treadle cords #3000-7011



1 boat shuttle



12 plastic bobbins



1 reed (heddles) hook



2 pks cords (5 yds each)

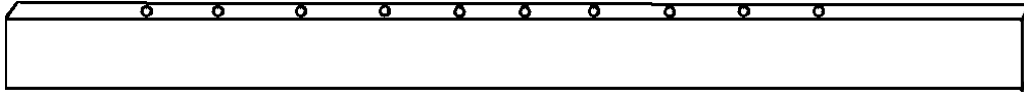


12 1/2"

heddles (36" loom)
heddles (45" loom)
heddles (60" loom)



1 warp beam advance control system



8 Floating Lams
33.75"

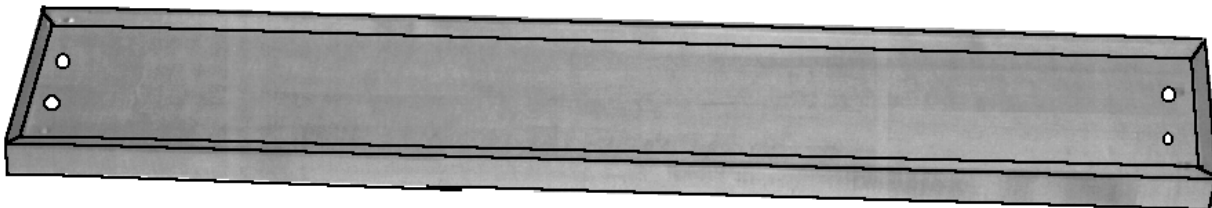


the back board of the jack

Note: Do not remove the saran wrap of the jack box before the unit is installed on the loom.



10 treadle springs with loop cords to make connection in the top and bottom of the springs

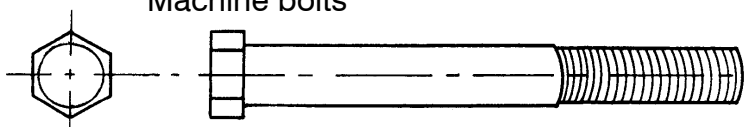


1 CASTLE TOP
36" = 41 5/8" CC
45" = 50 3/4"
60" = 65 15/16"

PARTS LIST


Machine bolts

4X - 3/8" x 5"




Carriage Bolts

2X - 1/4" x 2 1/4"
 4X - 5/16" x 2 1/2" (8 mm x 65 mm)
 3X - 5/16" x 4"
 2X - 5/16" x 2 1/4"



HEXAGON NUTS

2X- Nylon auto lock 5/16"

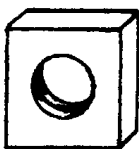


Washers

4X - 3/8"
 11X - 5/16"
 4X - 9/16"

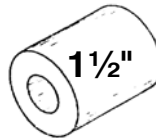
Square nuts

4X - 3/8"
 5X 5/16"



Wooden spacer

1 1/2" 4X for a 4 shaft loom
 8X for a 8 shaft loom




Wing nuts

2X - 1/4" (6 mm)
 5X - 5/16" (8 mm)

Round head screw

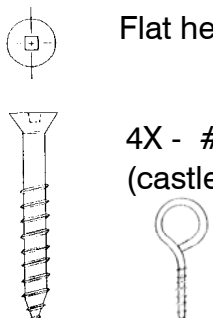
2X - #14 x 2 1/2"
 4X - #12 x 1 1/2"
 8X - #12 x 1 1/2" (jack box)
 4x - #8 x 1 1/2"




Flat head screw

4X - #12 X 1 1/2" (38 mm)
 (castle top)

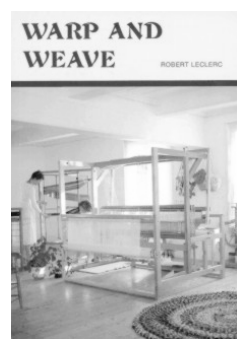
2X eye screws



Tacks for canvas




1 instruction Video showing all stages of installation. In case of difference between the video and the instruction, follow the written instruction



1 book Warp&Weave

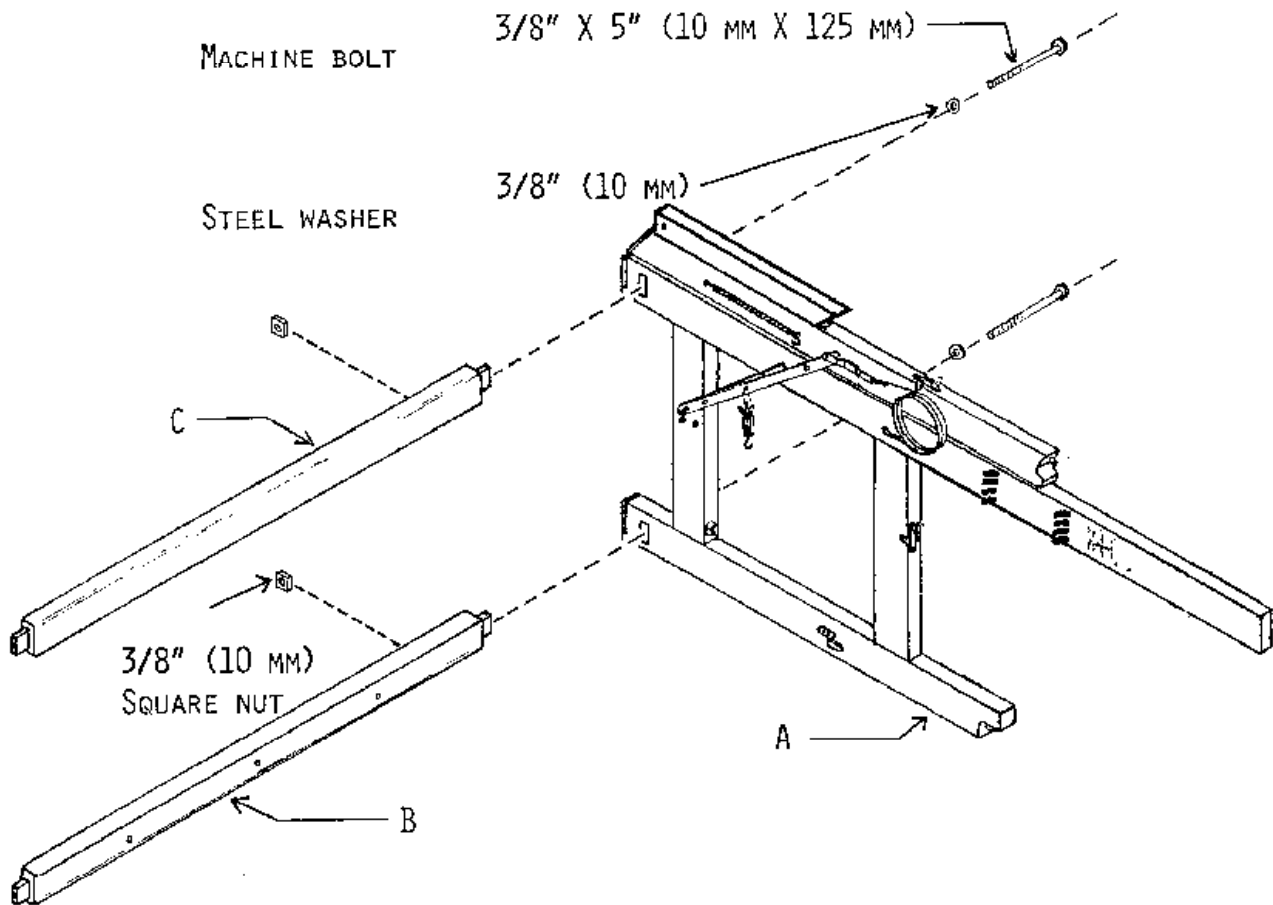


Fig. 1

Place right-hand side A of the loom on its front.

Insert the tenon of lower front cross-member B into the lower front mortise of right-hand side A. (Fig. 1)

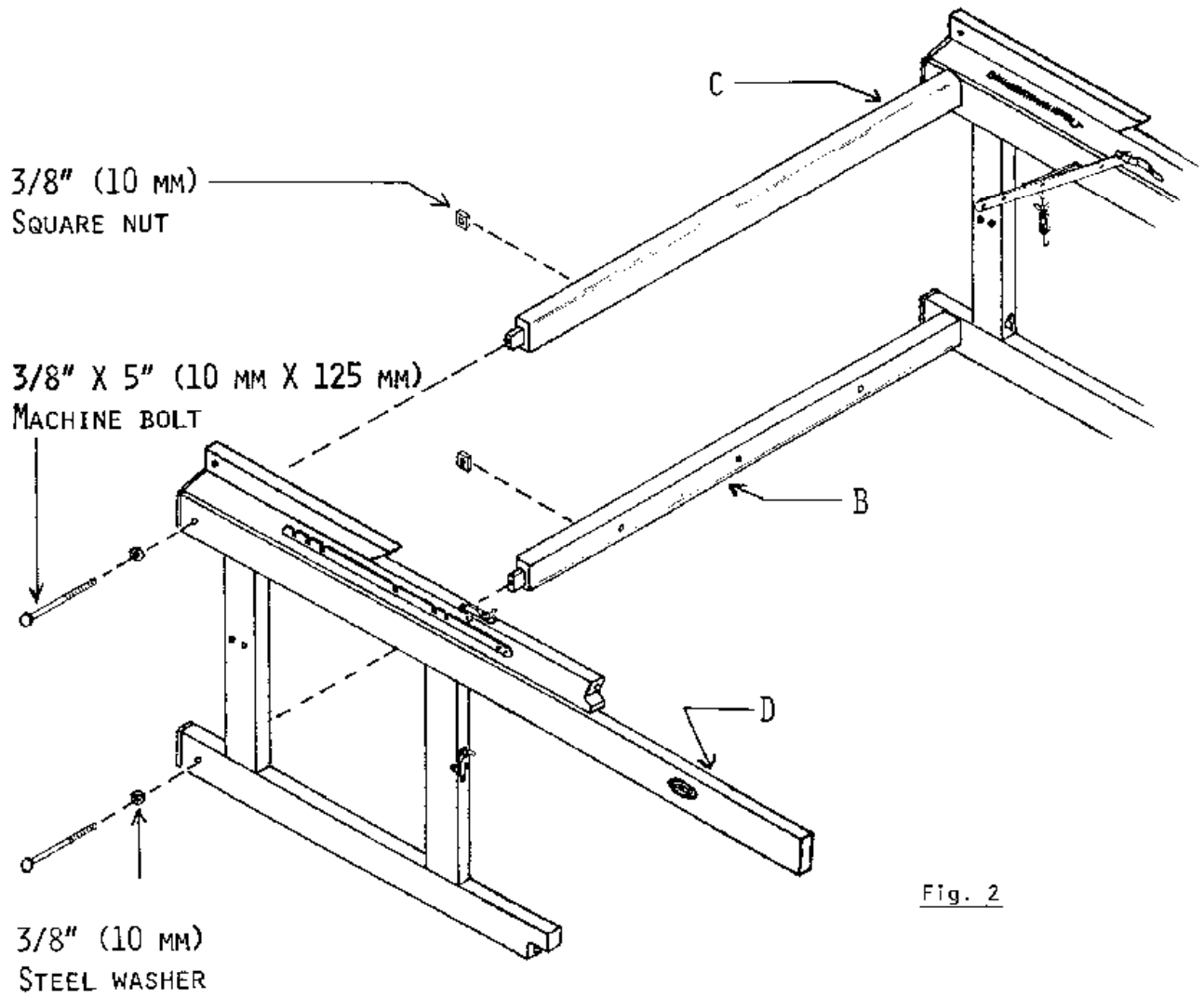
NOTE: The lower front cross-member B have 3 holes drilled through it.

Using the wrench supplied with the loom, affix cross-member B with a 3/8" X 5" (10 mm X 125 mm) machine bolt, a 3/8" (10 mm) steel washer, and a square nut. (Fig. 1)

Insert a tenon of lower back cross-member C into the lower back mortise of right-hand side A. (Fig. 1)

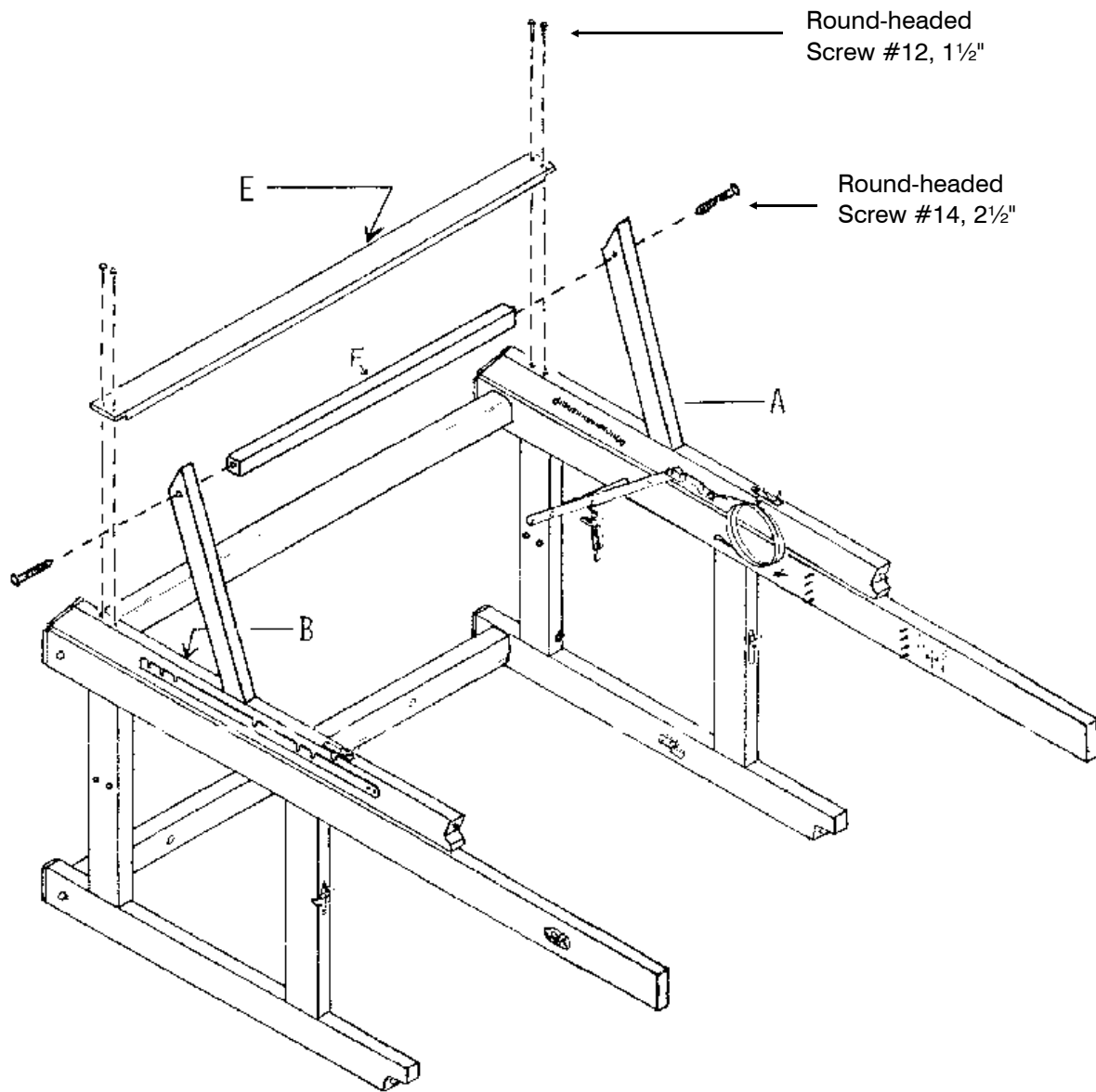
NOTE: The lower back cross-member C have 2 holes drilled through it.

Affix cross-member C with a 3/8" X 5" (10 mm X 125 mm) machine bolt, a 3/8" (10 mm) steel washer, and a square nut (Fig. 1)



After having placed left-hand side D of the loom on its front, insert the tenons of cross-members B and C into the lower mortises of left-hand side D. (Fig. 2)

Use 3/8" X 5" (10 mm X 125 mm) machine bolts, 3/8" (10 mm) steel washers, and square nuts. (Fig. 2)

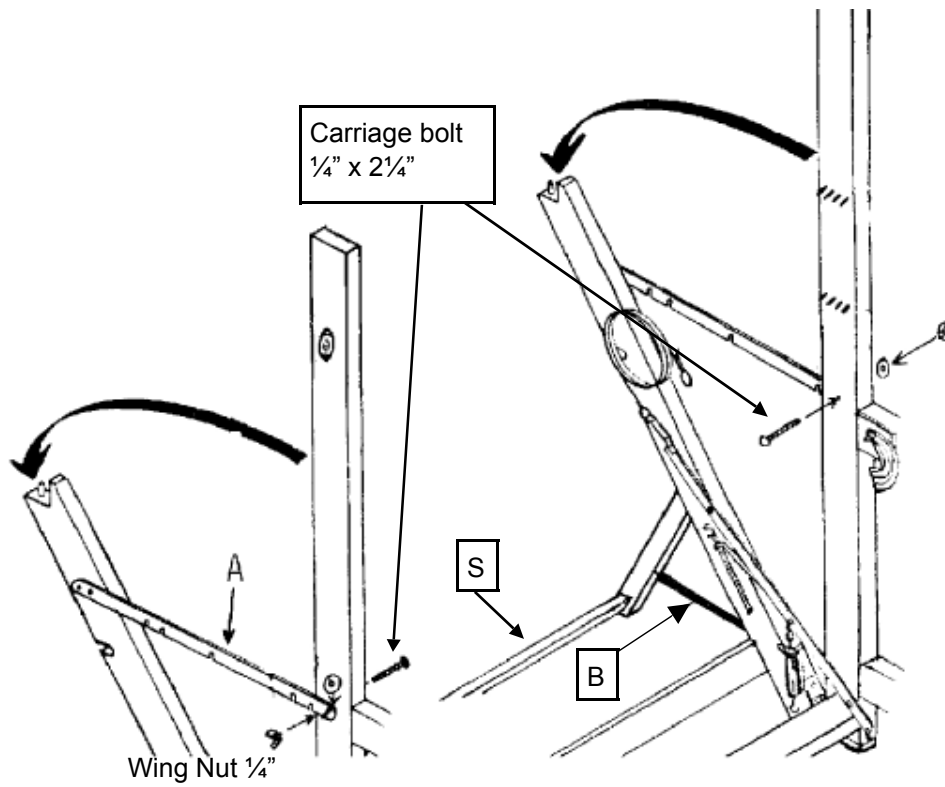


Using four 1½" (40 mm) round-headed screws No 12, affix back cross-member E to back posts A and B.

NOTE:

If cross-member E does not fit between posts A and B, insert it higher between the posts then slide it down. Application of soap to the screws will make their insertion easier.

Using two, 2½" (65 mm) round-headed screws No. 14, affix the cross-member for the stabilizing posts F.

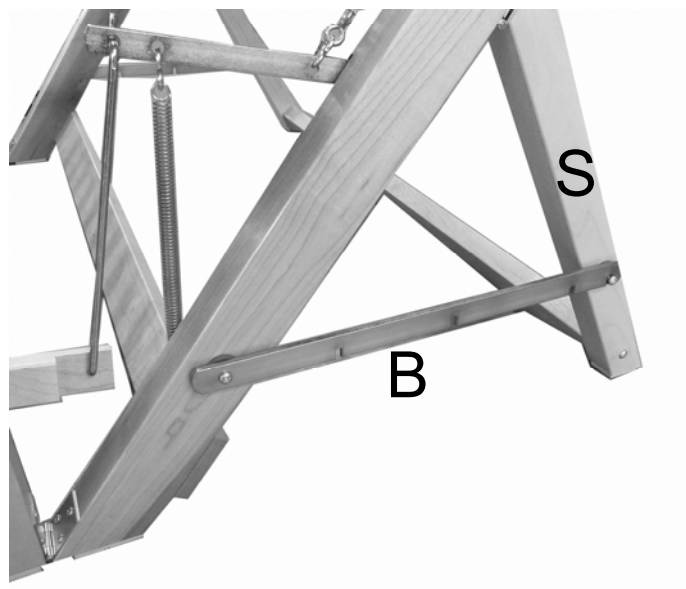


Place the loom right side up.
 Unfold the back section of the loom.

Insert a $\frac{1}{4}$ " x $2\frac{1}{4}$ " carriage bolt into the holes of the uprights. The nylon washer is already installed in the upright. Affix the $\frac{1}{4}$ " wing nuts.

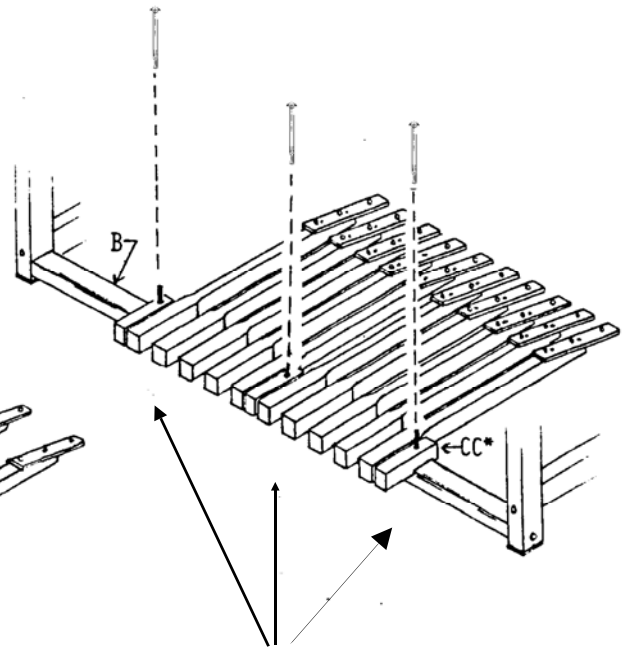
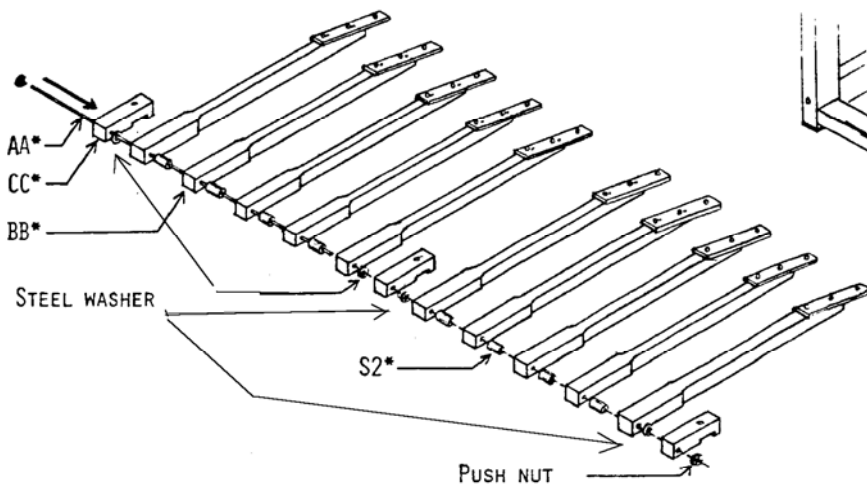
Lock it in place with metal hooks A at the last notch.

Unfold the back section (Stabilizing post S) of the loom and lock it in place with metal hooks B.



INSERT NEXT TO THE PUSH NUT:

- 1 treadle bloc
- 1 washer 1/2"
- 1 treadle
- 1 wood spacer X4
- 1 treadle
- 1 washer 1/2"
- 1 treadle bloc
- 1 washer 1/2"
- 1 treadle
- 1 wood spacer X4
- 1 treadle
- 1 washer 1/2"
- 1 PUSH NUT

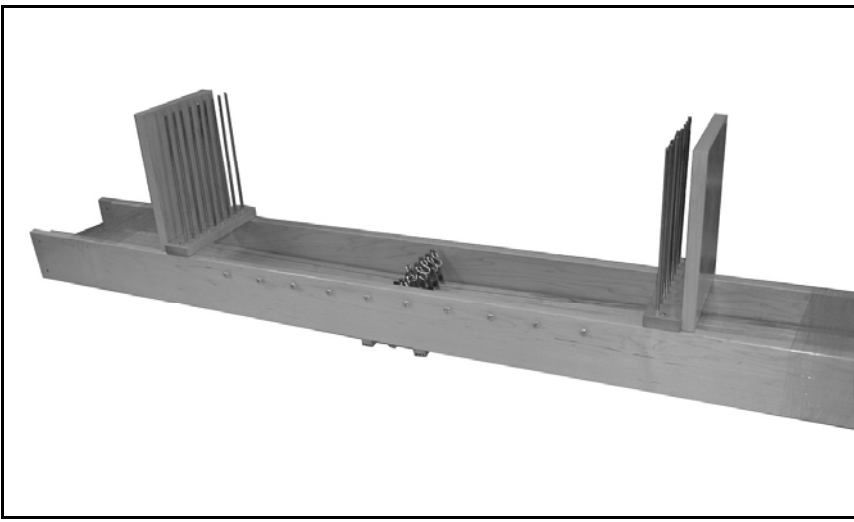


Washers 5/16"
 Square nuts 5/16"
 Under the treadle cross-member

Assemble the treadle set as illustrated.

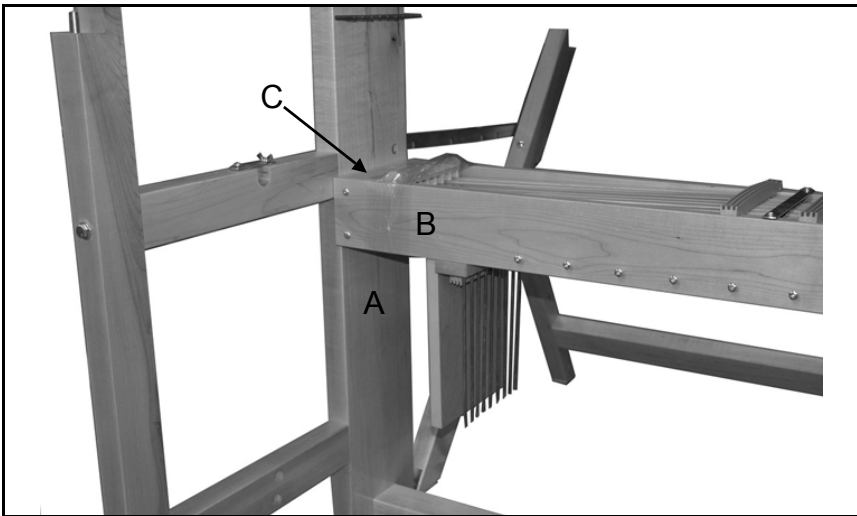
Affix treadle set to lower front cross-member by inserting the carriage bolts into the treadle set supports and the treadle cross-member. Affix them using 3x 5/16" square nuts and 3x 5/16" steel washers.

NOTE: Install the left side push nut only after the set is fixed on the loom.

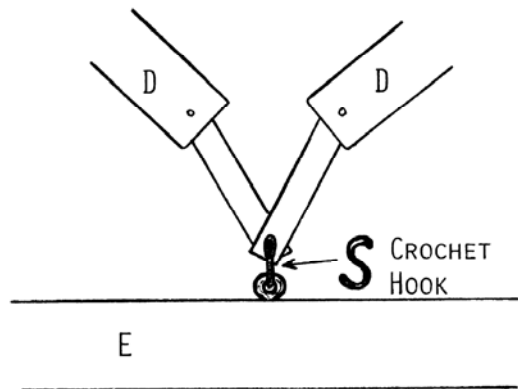


Affix the 2 lams separators to the bottom of the jack box using four 1½" (40 mm) round-headed screws no. 8.

Do not remove the saran wrap.



Slide jack box B along the middle posts (A) , from bottom to top, and affix it to blocks C using eight 1½" (40 mm) round-headed screws no. 12.



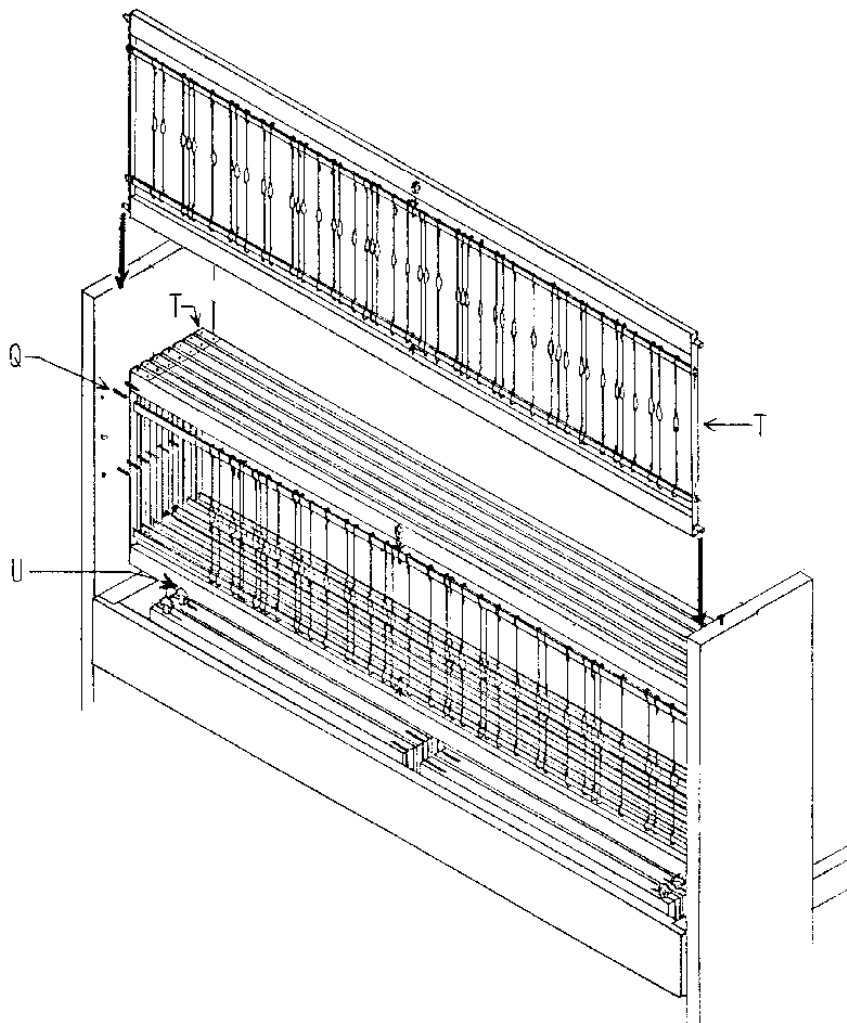
Remove the saran wrap tape and put the "S" hook of the jacks D inside the eyelet of the lam E.

Install the heddles in the shaft frames.
(see "WARP AND WEAVE" on page 10)

Slide shaft frames T between dividers Q.
The shaft frames must rest on the plastic
supports U of the jacks (harness guides).

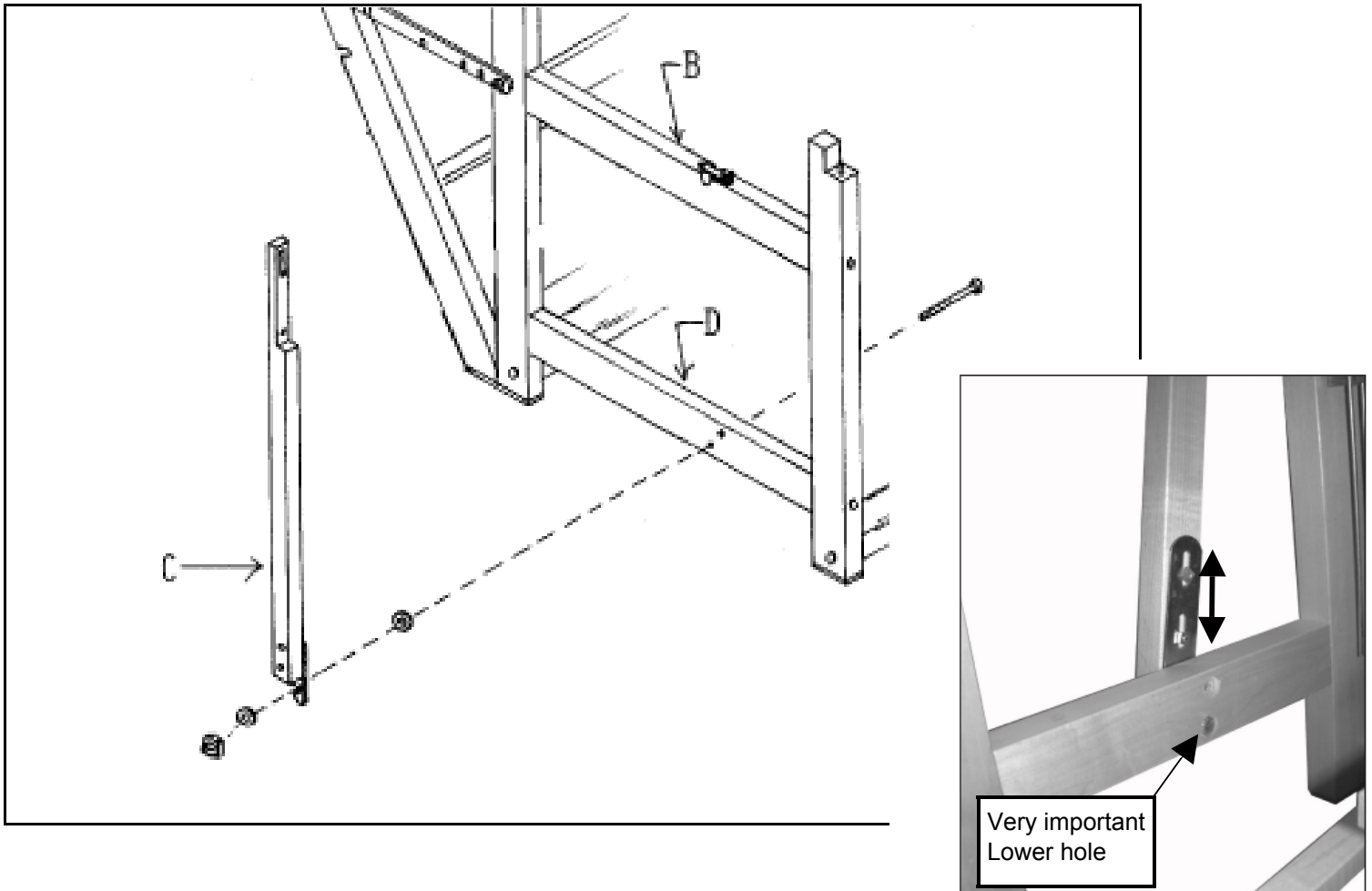
The Leclerc Logo must be on top, facing
the front of the loom.

NOTE: Some shafts may be tight
between the castle frame until the castle
top is attached.



Using four 1½" (40 mm)
flat-headed screws no. 12
affix castle top on top of
middle wide post (castle)





Affix batten swords C to lower lateral cross-members D. Insert the two 5/16 x 2 1/4" carriage bolts to the LOWER HOLE.

Hammer these carriage bolts into the hole so it will lock while you will screw in the auto lock nuts.

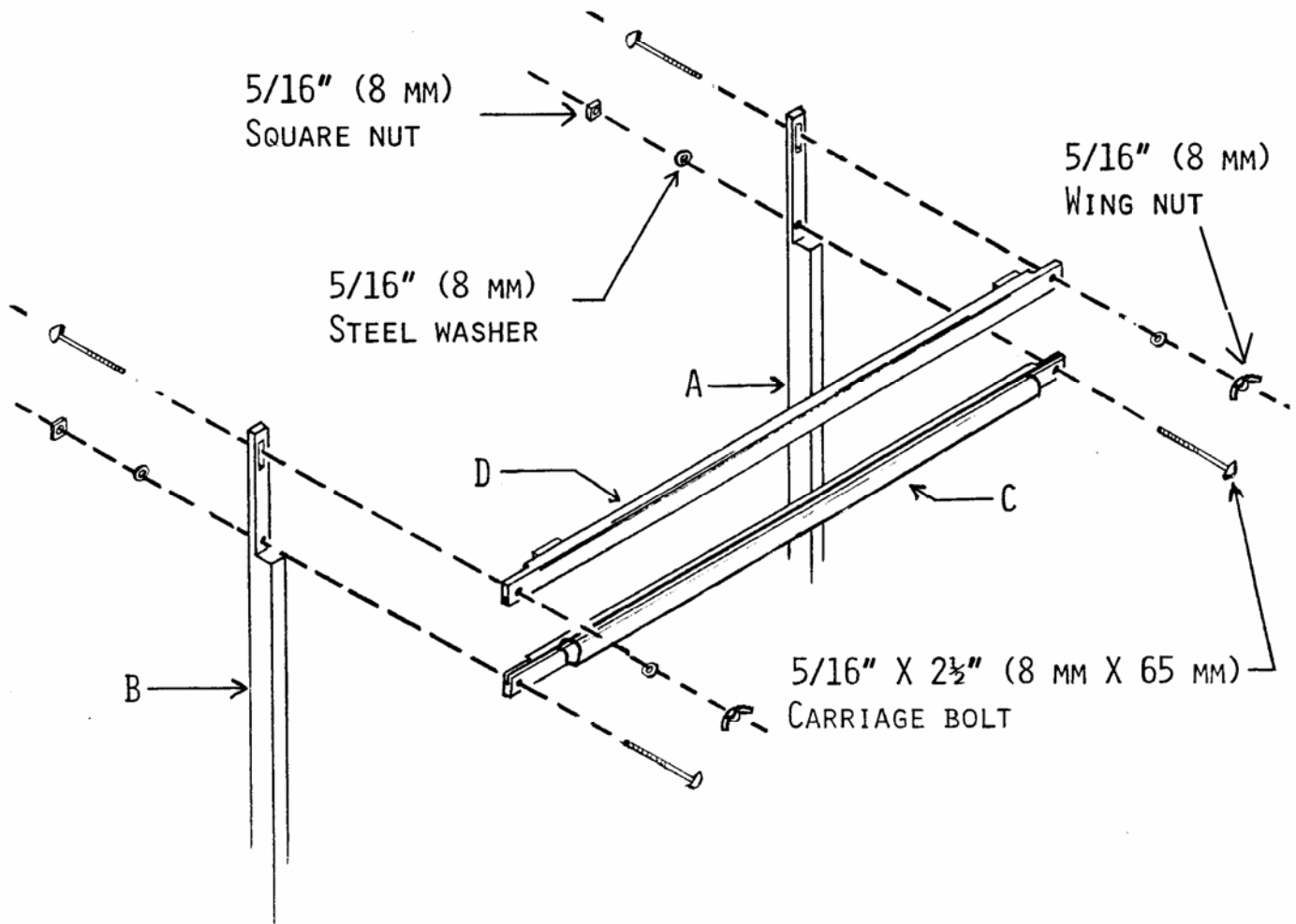
You also need four steel washers and two 5/16" Autolock nuts. Place a steel washer between the Autolock nut and the sword and another one between the sword and the cross-member.

Do not tighten the bolts too much as the batten must move easily.

To Adjust the Beater height;

With Warp drawn in, under tension and Shafts at rest(down), set the height of the Race so it just kisses the Warp ends evenly, side to side.

The adjustment (A) is made by raising or lowering the Beater with the lower Laysword metal Plate.



Using 5/16" x 2½" (8 mm x 65 mm) carriage bolts, 5/16" (8 mm) steel washers, and square nuts, affix batten sley C to the lower holes of swords A and B.

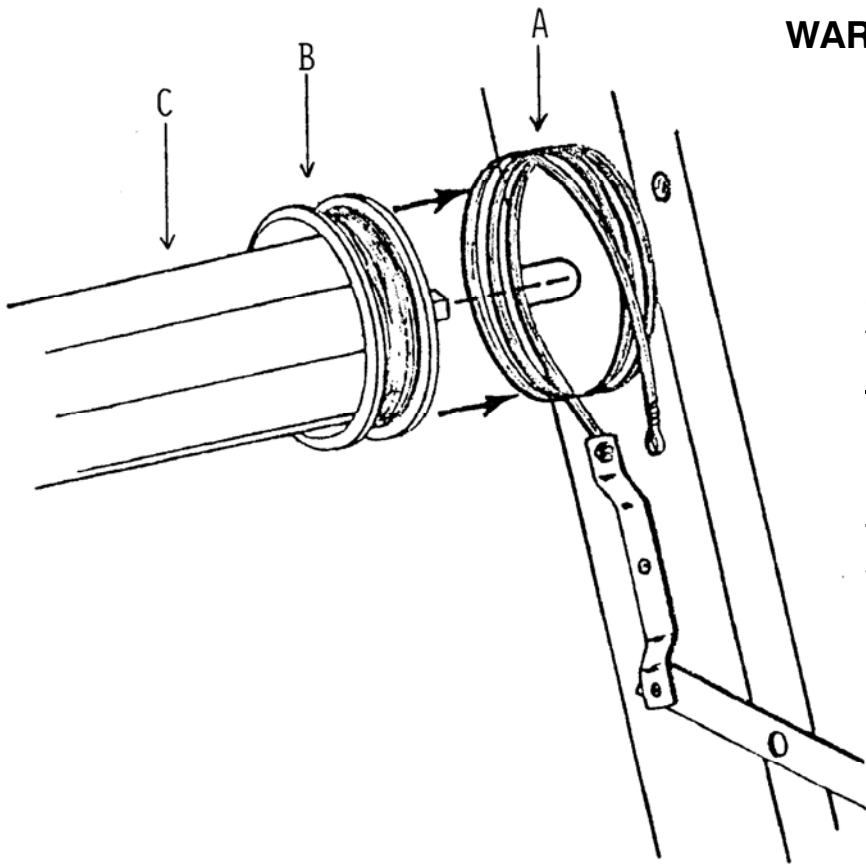
NOTE: The batten sley does not have polyvinyl bumpers but it has a shuttle race.

Using 5/16" X 2½" (8 mm X 65 mm) carriage bolts, 5/16" (8 mm) steel washers, and wing nuts, affix batten handtree D to swords A and B.

NOTE: The batten handtree has polyvinyl bumpers.

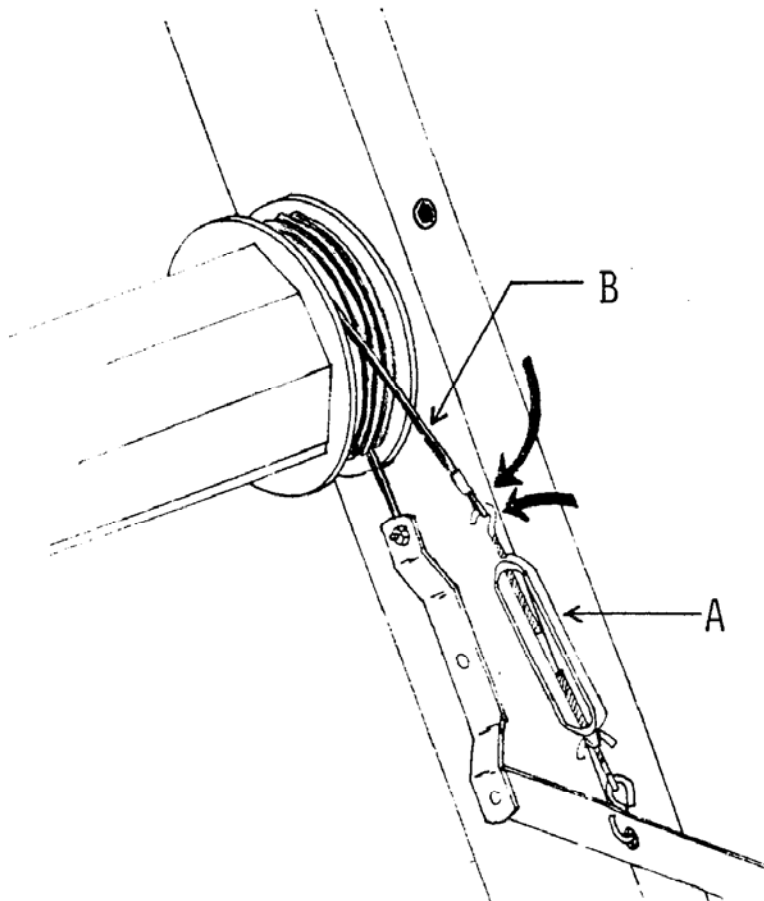
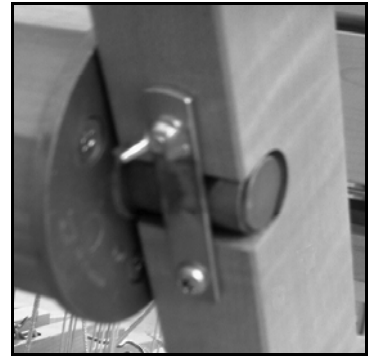
The slots of the batten sley and handtree must face each other.

WARP BEAM INSTALLATION



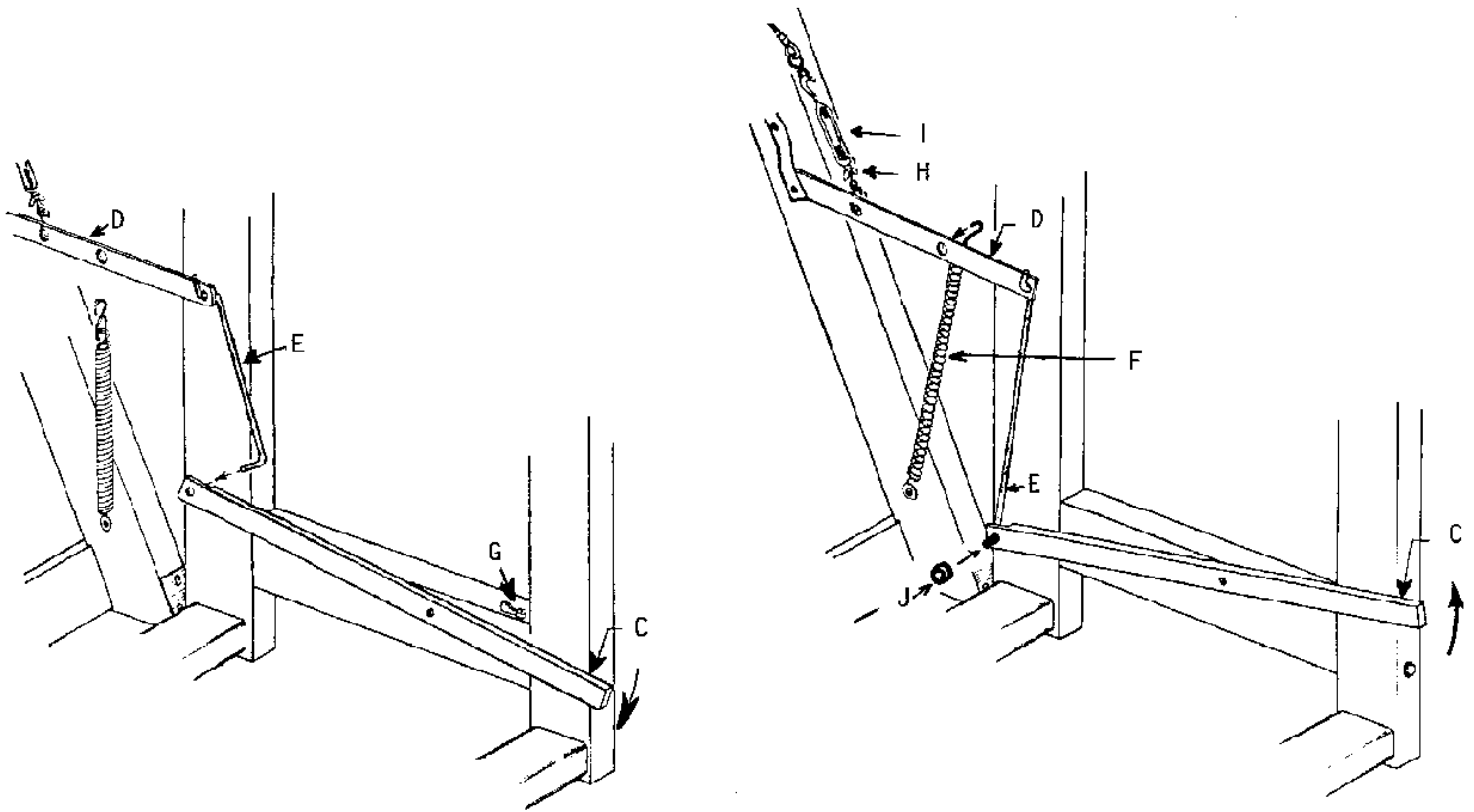
Hold the circular wire brake shoe A slightly to the rear of the loom, **but do not unroll it.**

Insert the brake drum B into the wire brake shoe A. Then, install the ends of the warp beam C into the grooves of the back posts.



In order to improve the rotation of the warp beam, special bushings are supplied. Make sure to leave them in place when installing the warp beam on the loom.

Hook turnbuckle A to flat wire circle B.



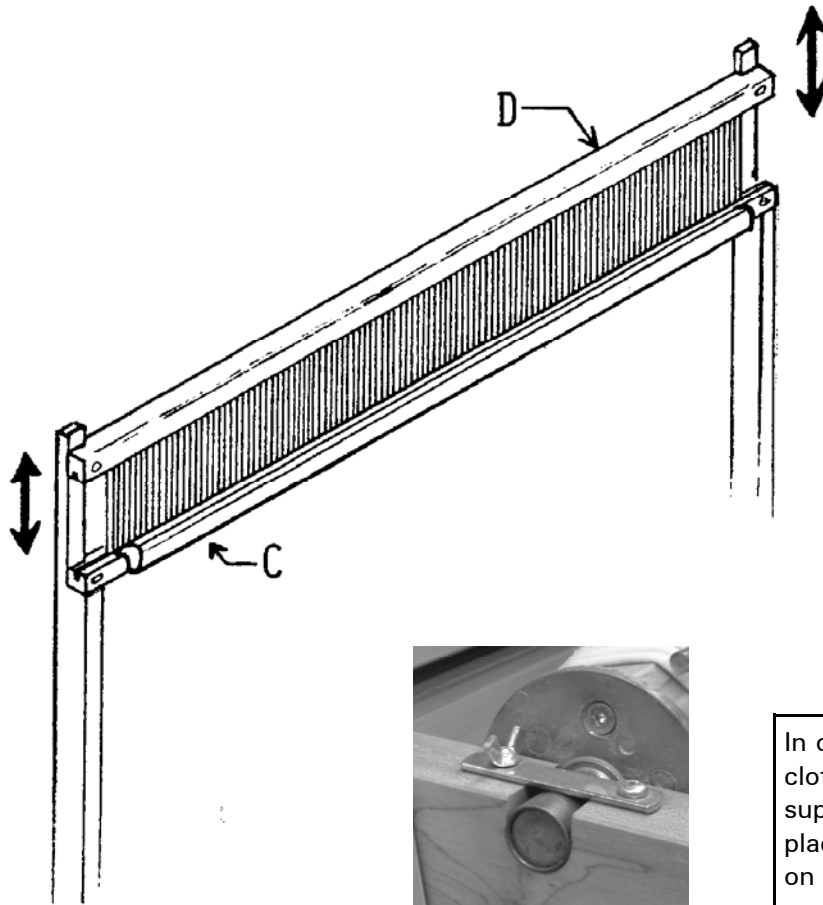
Using metal rod E, join treadle C to lever D. First insert the double-cornered end of the metal rod into lever D; then insert the other end of the metal rod into treadle C while the treadle is depressed.

Raise treadle C as high as possible then hook spring F to lever D.

BRAKE ADJUSTMENT:

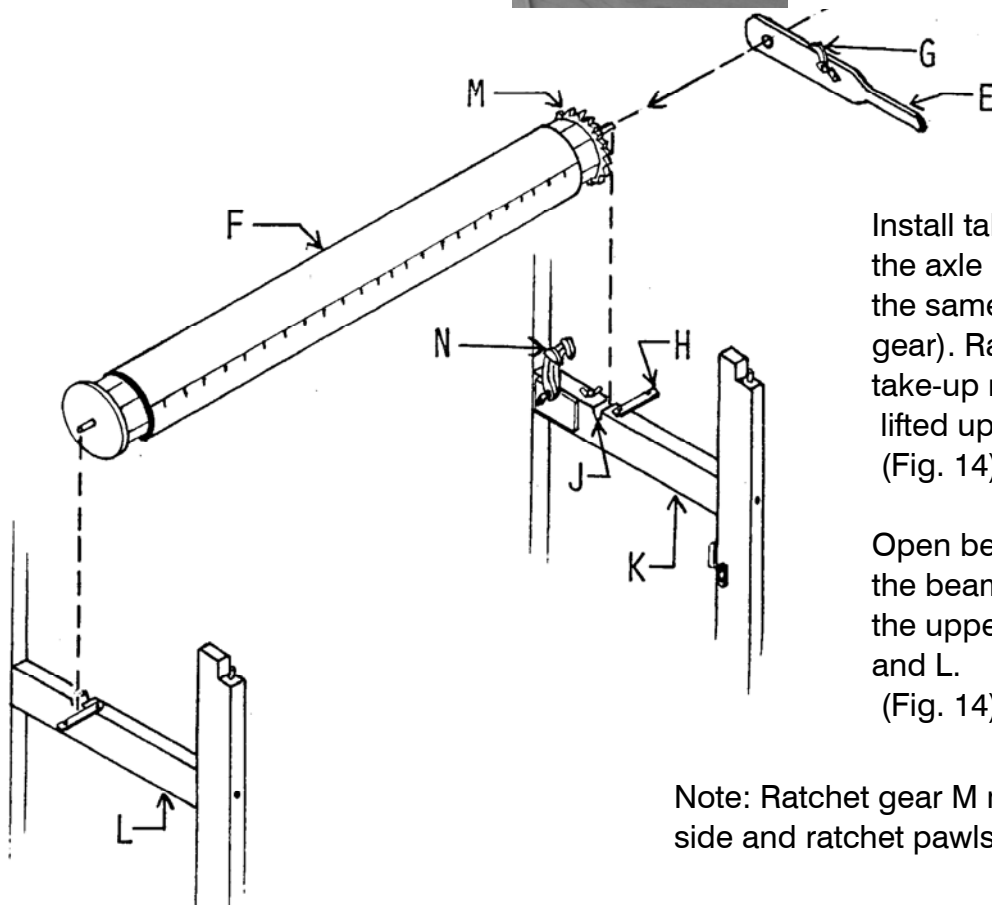
Release the brake by depressing treadle C and locking it down with the catch G. The warp beam should turn freely but the brake circular wire should not be too slack. If the tension is too great, unscrew the wing nut H slightly and then loosen the turnbuckle I. If the tension is too slack, tighten the turnbuckle I slightly and then the wing nut H.

You will add a black rubber ring J to the lower end of the rod E, to prevent the rod to go out.



Place the reed between batten sley C and handtree D. When the wing nuts are loose, the batten handtree can slide vertically in the sword slots. The reed must then be secured between the batten sley and handtree by tightening the wing nuts. If the batten does not touch the two bumpers equally, loosen the bolts of the batten sley and handtree and exert pressure on the batten centering it in its proper place. Tighten the bolts again.

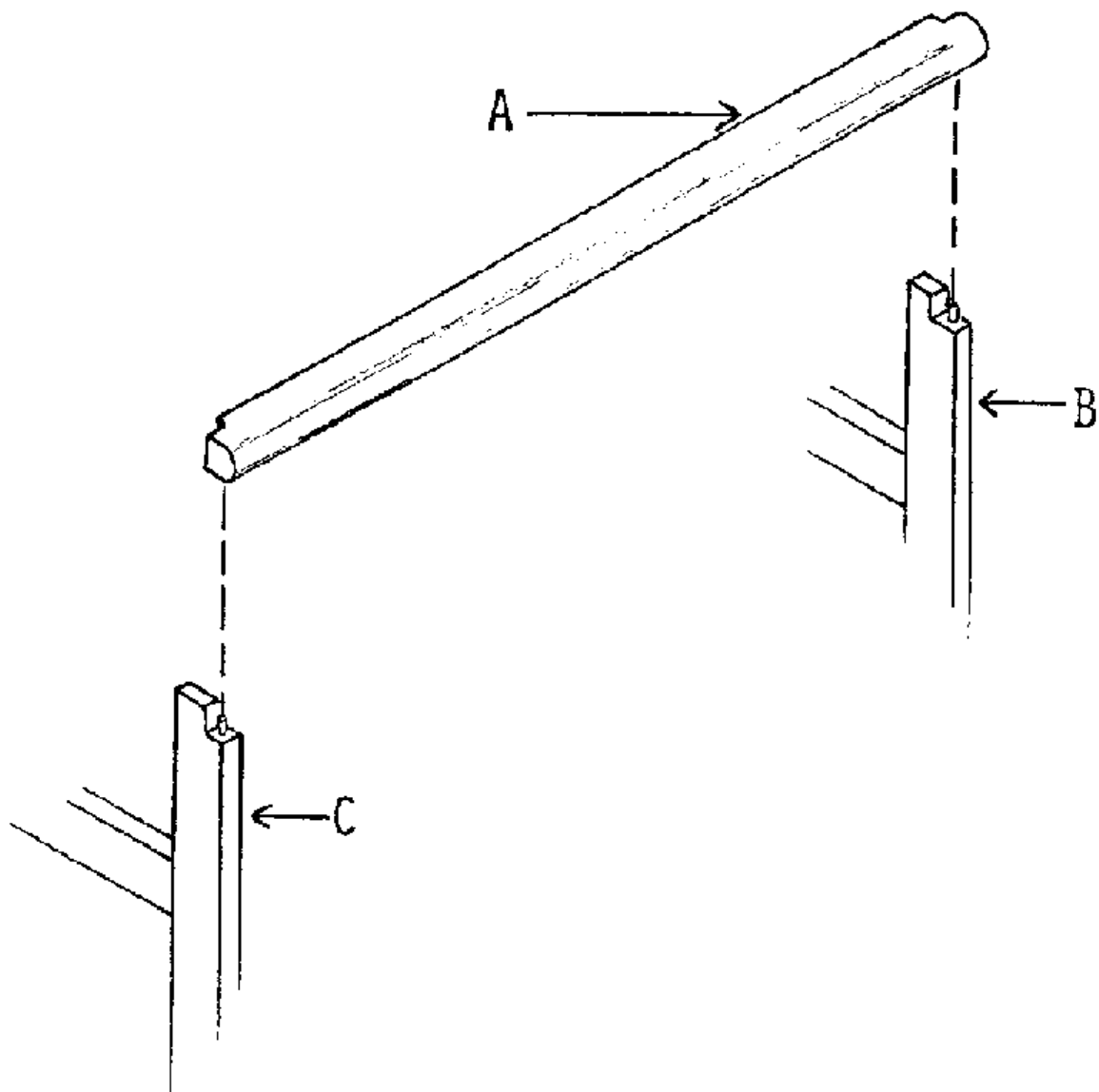
In order to improve the rotation of the cloth beam, special bushings are supplied. Make sure to leave them in place when installing the cloth beam on the loom.



Install take-up motion handle E on the axle end of cloth beam F (on the same side as the ratchet gear). Ratchet pawl G of the take-up motion handle must be lifted up. (Fig. 14)

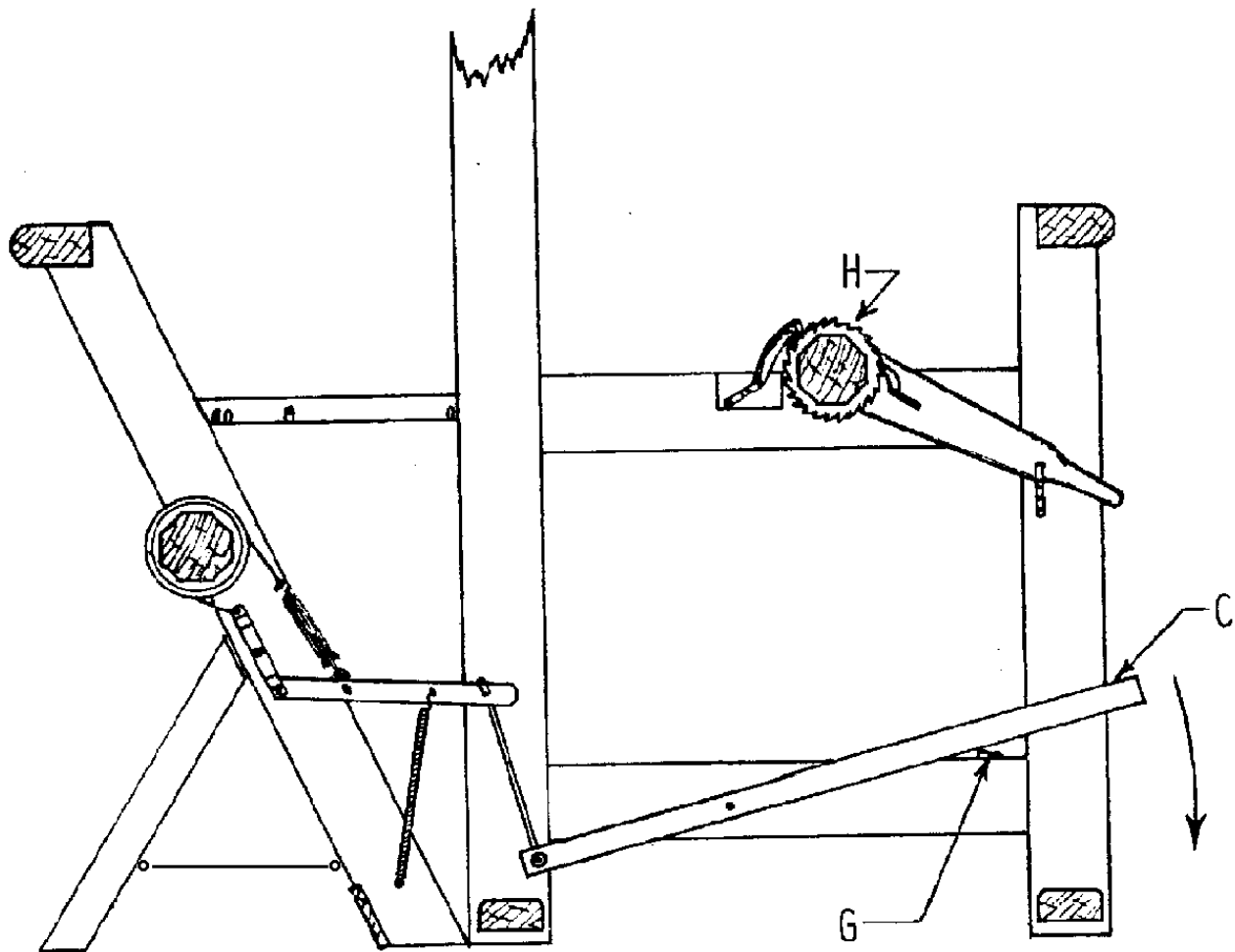
Open beam latches H and place the beam ends in the slots J of the upper side cross-members K and L. (Fig. 14)

Note: Ratchet gear M must be on the right-hand side and ratchet pawls N must be lifted up.



Affix one of the breast beams A on the top of the front posts B and C.
Affix the other breast beam on top of the back posts.

NOTE: To avoid splitting the front posts, slightly insert the breast beam onto the metal pin.
Be sure that it is in the right position before inserting it completely.



FOLDING LOOM AND BEAMING:

Release the brake by depressing treadle C and by locking it down with catch G.

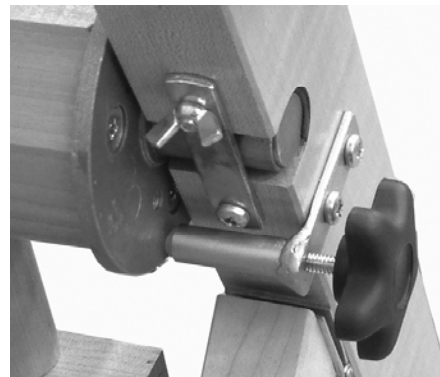
WEAVING:

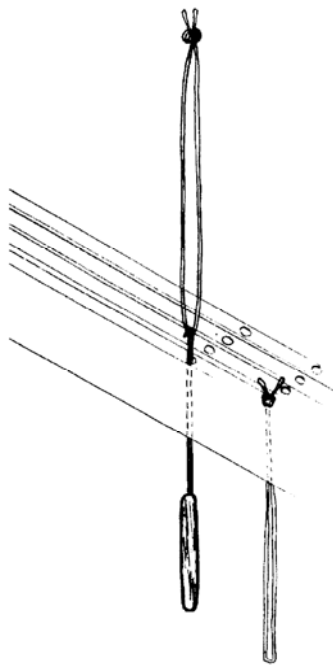
To advance the warp, depress brake treadle C and turn cloth beam H at the same time. Then release brake treadle C and advance the cloth beam until the next notch in the ratchet gear is reached. If this is too much tension, gently depress the brake treadle until the desired tension is obtained. (Fig. 9)

MAINTENANCE

See "WARP AND WEAVE", page 87.

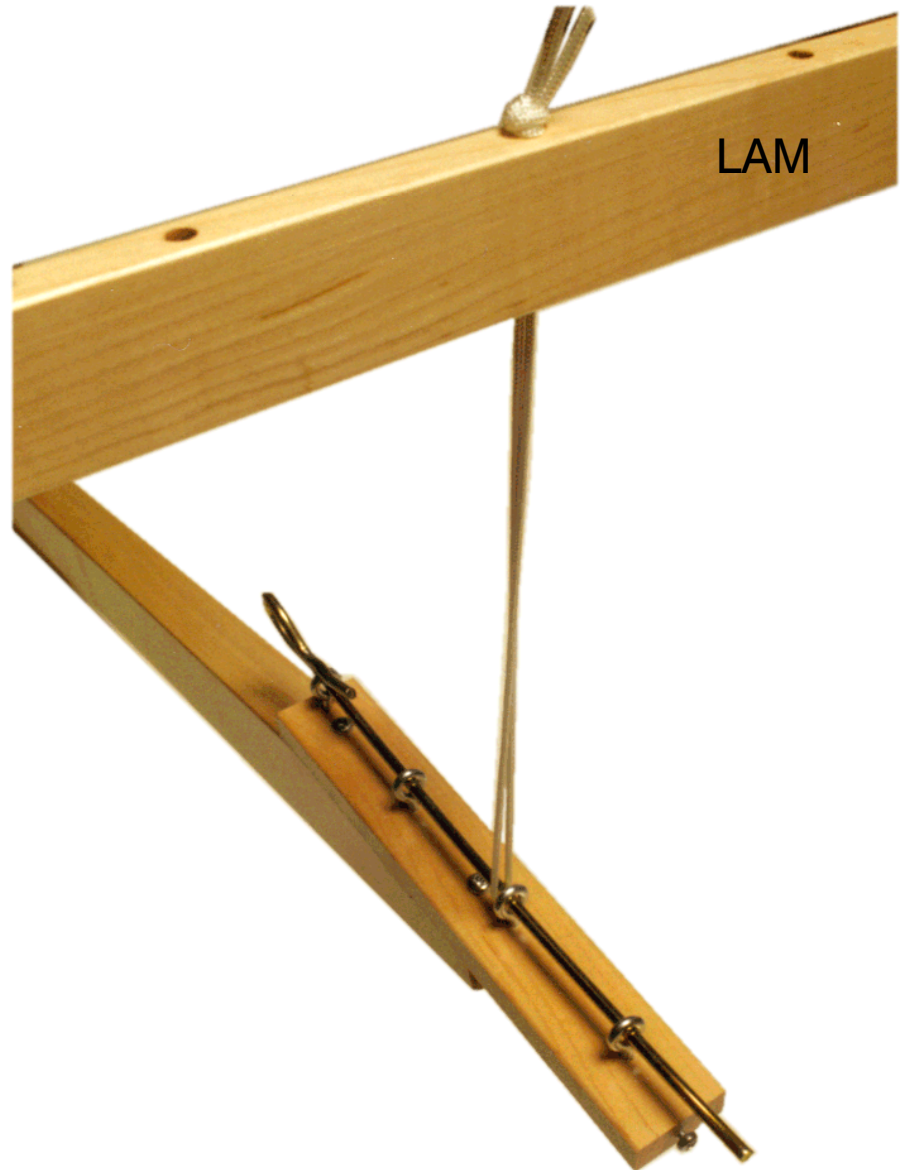
Install the Warp beam advance control system.
 This system will eliminate excessive warp yarn advance when releasing the brake system at cloth take-up. This friction system is adjustable and have to be released when winding the warp on.
 Just screw the handle in to increase the friction or unscrew it to release.
 Affix it to the back left side of the loom using 2 round head screws no 12 - 1" to the pre-drill holes.





FIRST TREADLE TIE-UP

Select any treadle and tie the Lams to the Treadles using the 9" cords supplied with the loom. Take the threading hook to help pass the cord through each hole of the lam.



Slide the Treadle Hook through the Screw Eyes and Cord Loops.

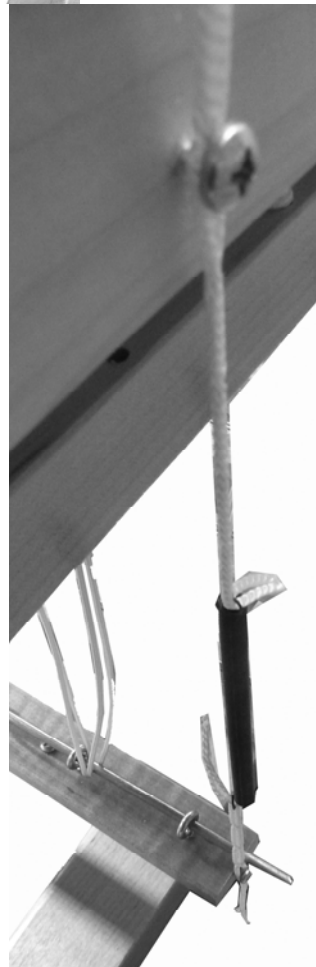


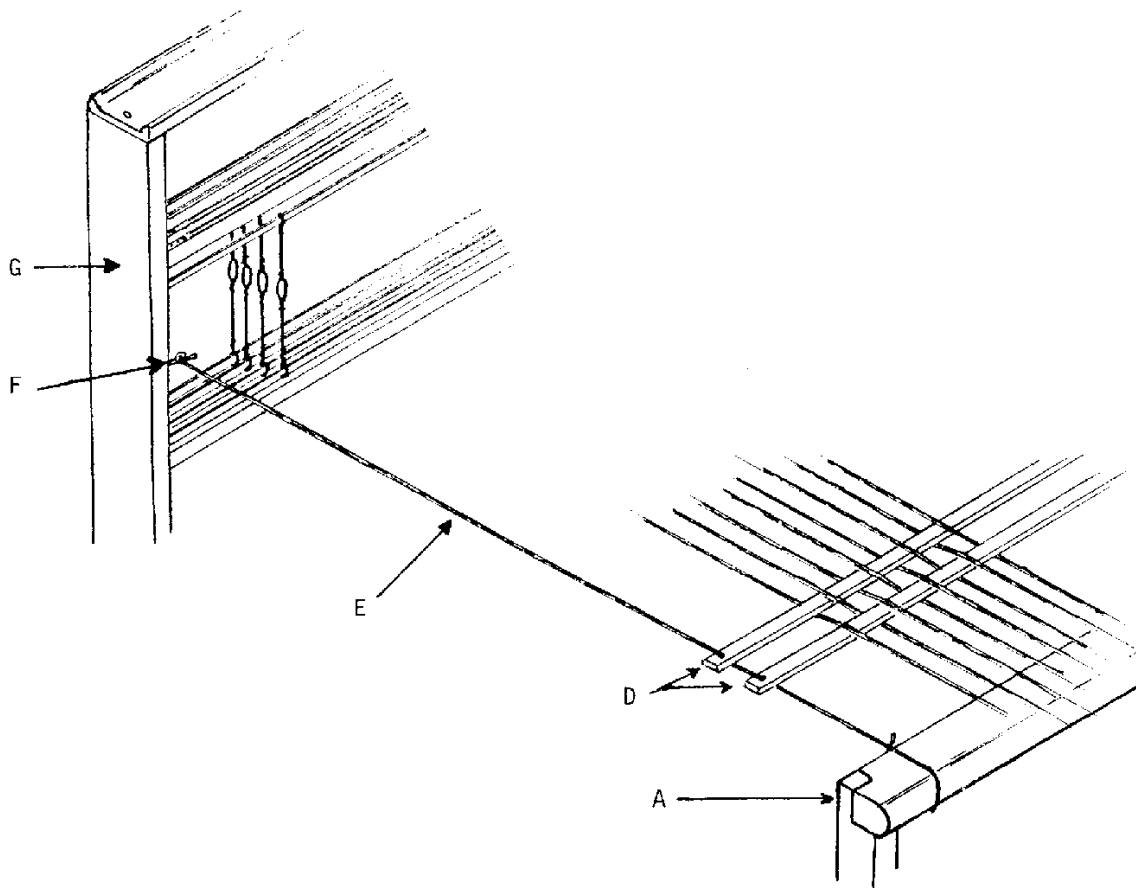
Back of the jack box

Before you start weaving, you have to install the treadle spring on the Anchors (little screw at the end of the treadle and in the back board of the jack box).

In the Treadle rest position (up) there should be no or very little tension on the Spring. However, slack on those spring cord is not desirable.

The treadle springs are there only to support the weight of each treadle.

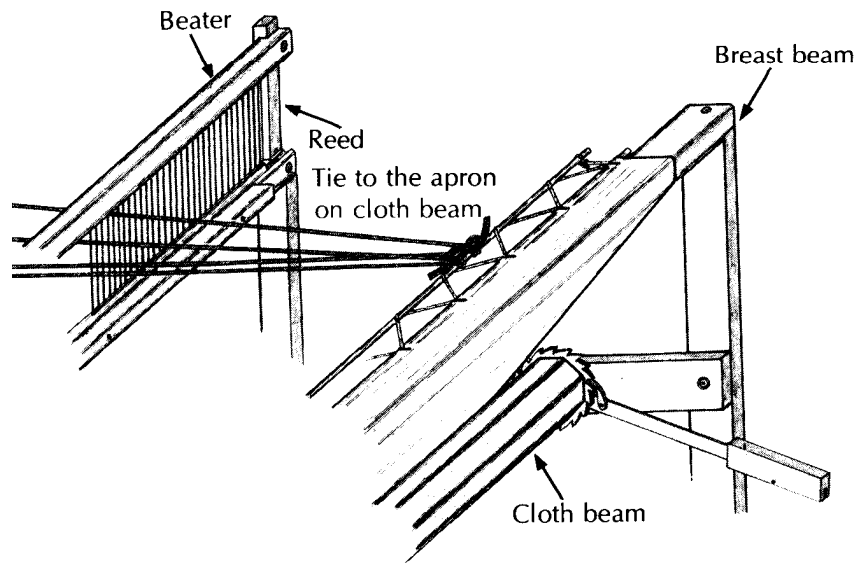




Affix screw eyes F to the holes inside middle posts G.
Pass a string C through the holes at each side of the lease sticks D and tie them to the screw eyes and to the thread beam A. The lease sticks will be held at the right height and distance for easy threading.

If the loom is equipped with a sectional warp beam, affix the rake-like pieces (following the instructions supplied with the sectional warp beam) and do the following instructions on the cloth beam only.

If the loom is not equipped with a sectional warp beam, affix the apron to the warp beam with tacks and do the following procedures on the warp and cloth beams.



Insert a warp rod into the apron border.

For 27", 36" and 45" loom
(70cm, 90cm and 115cm)

For 60" loom
(150cm)

Cut the 5 yard (4.5m) cord in half.
Use one half of the cord to lace the
apron warp rod to a second warp rod.
This second warp rod will be used to
attach warp threads.

Use a 5 yard (4.5m) cord to lace the
apron warp rod to a second warp rod.
This second warp rod will be used to
attach warp threads.

For more information see the book "Warp & Weave" supplied with the loom.

**We at Leclerc encourage Weaver feedback on this and all
our products. Please
send your comments to Leclerc Loom Co.**

HAPPY WEAVING